



Rev. 02/05/21

Duct Temp. & Humidity Transmitter

F5

418 MHz Wireless System

Features & Options

- 8 Year Battery Life
(with two 3.6 volt lithium batteries, full AA size)
- 100 Foot In-Building Range, Extendable to 1,000 Feet with Repeater*
- Temperature and Humidity signals can be converted to Voltage, Current or Resistive Outputs for the Controller
- Watertight BAPI-Box Enclosure
- Closed Cell Foam Padding
- 2 Year Warranty



Wireless Duct Temperature and Humidity Transmitter

BAPI Wireless 418 MHz Duct Temp. and Humidity Transmitters feature closed cell foam to seal the probe insertion hole and to absorb vibration. Mounting feet allow for easy installation directly to the wall of the duct. The wireless Duct Units come with a watertight BAPI-Box enclosure to withstand high humidity and condensation and perform under real world conditions.

The Wireless Duct unit measures the duct temperature and humidity and transmits the data through 418MHz RF to a receiver. It has an in-building range of 100 feet* and an estimated battery life of 8 years using two high-capacity 3.6V lithium batteries with a transmit rate of about once every 20 seconds. Each transmitter has a unique address with built in error detection. Each variable sent by the transmitter is picked up by the receiver and converted by a BAPI Analog Output Module to a voltage, current or resistance signal which is sent to the controller.

PART #: BA/WTH-D - Wireless Duct Temp. & Humidity Transmitter, 5" Probe Length

PART #: BA/LI3620 - Lithium Ion AA Battery, 3.6V, for all Transmitters except the BAPI-Slim and Wireless Food Probe

See end of Section F for list pricing.

Specifications

Supply Power: Two 3.6V Lithium batteries, 8 year battery life at 20 second transmit rate

Sensing Elements:

Temp. - Semiconductor Band Gap, Proportional to Absolute Temperature, $\pm 0.9^{\circ}\text{F}$ ($\pm 0.5^{\circ}\text{C}$) @ 25°C
Humidity - Capacitive Polymer, $\pm 2\%$ RH Accuracy, 10 to 90% @ 25°C

Transmitted Range: -40°F to 185°F (-40°C to 85°C)

Environmental Operation Range:

Temp: -40 to 185°F (-40 to 85°C)
Humidity: 0% to 100% RH, non-condensing

Enclosure Rating: IP66

Enclosure Material:

UV-Resistant Polycarbonate

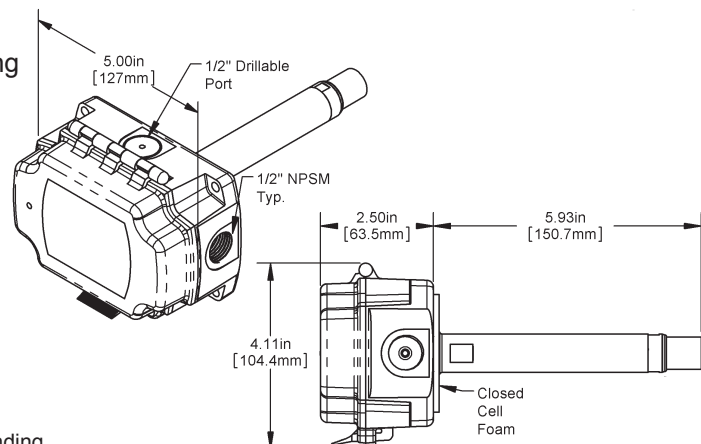
Material Rating: UL94 V-0

Radio Frequency: 418 MHz

Transmitter Interval: ~20 seconds

Antenna: Built inside the enclosure

FCC Approval: FCC ID# T4F060811RH



*Actual in-building transmission distances will vary depending upon building construction and other factors.

