



18158_ins_lith_bat

Lithium Battery 3.6V

Wireless Sensors

Rev. 11/22/06

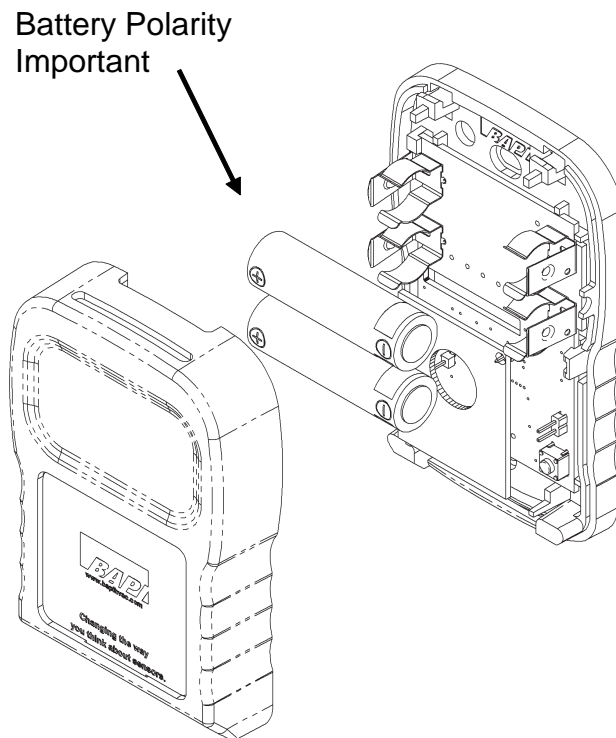
Overview

The BA/LI3620 is the ideal replacement for the battery in BAPI's wireless transmitters BA/BS2-WT or BA/BS2-WTH. Each transmitter accommodates two BA/LI3620's which will give the transmitter a battery life 8 years.

PART #: BA/LI3620 - Lithium Battery 3.6V



Lithium Battery



Specifications

Size: AA
Nominal Capacity: 2.25 Ah
Nominal Voltage: 3.6V

Environmental Operation Range:
-60 to 85°C (32-122°F)
0 to 95 %RH Non-Condensing