



Rev. 10/16/12

LVTM - Line Volt. Transformer Module

G21

ETA Line

Overview

BAPI offers two styles of Line Voltage Transformer Module (LVTM) to simplify connecting an external transformer to the VC2700-STM Voltage Converter. The LVTM can sit side-by-side with the VC2700-STM in an 8" piece of snaptrack.

The LVTM takes 120/240 VAC power and protects the input with a 3.15 amp resettable circuit breaker. Pluggable terminals provide a convenient way to terminate the primary and secondary windings of the transformer.

Part Numbers

BA/LVTM..... Line Voltage Transf. Module w/ power cord connector

BA/LVTM-TB.... Line Voltage Transf. Module with Terminal Block

BA/PWR-CORD-18" 18" Power Cord

BA/PWR-CORD-36" 36" Power Cord

See end of Section G for list pricing.

Specifications

Input: 120/240 VAC at 3.15 Amps Max.

24 VAC Input: 9 Amps Max.

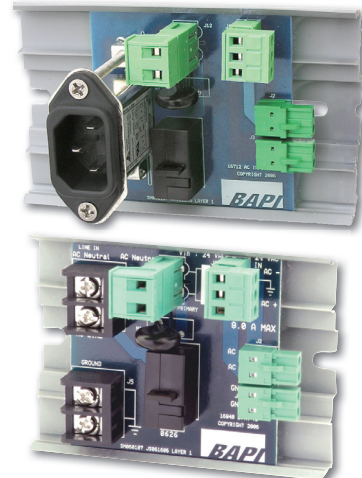
Power Cord Input: 125 VAC at 10 A Max.

Power Cord Wire: 3 Wire, 18 AWG

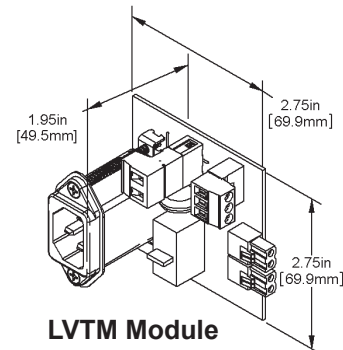
Ratings: NEMA 5-15P, UL817, CSA22.2



18" Power Cord shown above



LVTM (top) and LVTM-TB (below) in Snaptrack



LVTM Module

TB4 & TB4-VC100

Overview

The TB4 plugs directly into the VC2700 and provides four sets of depluggable terminals for the VC2700's output voltage. These additional outputs can be used to power BP8, BP4 and BP2 ETA backplanes.

The TB4-VC100 plugs directly into the VC2700 and adds a 100 mA adjustable voltage converter for a second system voltage of 5 to 20 VDC. Additional TB4-VC100's may be plugged in for 3rd and 4th system voltages. The adjustable voltage must be 6 VDC or more below the VC2700 voltage.

Part Number Description

BA/TB4..... Four Terminal Output Board

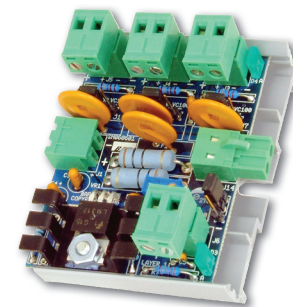
BA/TB4-VC100 TB4 w/ adjustable 100 mA Voltage Converter

Specifications

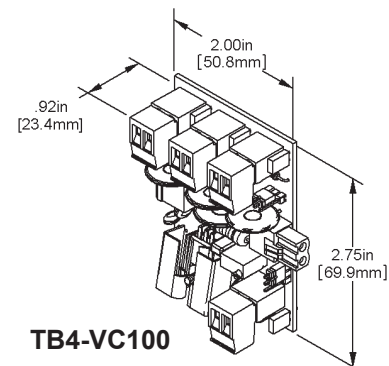
Input: BA/VC2700

Output: VC2700 terminals, 3 to 26 VDC Adjustable (from VC2700)
2.7 Amps DC Max at each terminal

VC100 section: 5 to 20 VDC adjustable, 100 mA Max.



TB4-VC100 in Snaptrack



TB4-VC100

