



Features & Options

- Etched Teflon Leadwires and Foamback Insulator
- Several Material, Finish and Color Options
- Wide Selection of Temperature Sensing Elements
- Limited Lifetime Warranty

Wall Plates are ideal for areas where a discreet, rugged zone sensor is required. All Wall Plates feature ¼" closed cell foam backing which covers the plate and insulates it from wall temperature. All units also feature etched Teflon leadwires and double encapsulated sensors to create a watertight package that can perform in the real world.

Override

A momentary Override is available as a Keyswitch or three styles of Pushbutton — Standard, Durable & Low Profile. The Standard model features a small, momentary pushbutton while the Durable model features a larger and stronger momentary pushbutton. The Low Profile Model is water resistant for washdown/wipedown applications and is available with a red or green LED indicator.

Security Screws & Bit



Spanner Security Screws and the Spanner Bit are available for any Stainless Steel Wall Plate Unit. For more info, see Accessories.

Replacement Key

Replacement keys are available for Wall Plates with Keyswitch Override. See "Accessories".



Communication Jack

An optional 3.5mm phono-style Communication Jack is available.

Color and Finish Options

Standard Wall Plates are available in aluminum or stainless steel with a metallic finish; however, many other color and finish options are available as special orders. Call BAPI for details.



For detailed specs on the individual Sensors & Transmitters, turn to the Sensors section

Specifications

Material:

Aluminum or Stainless Steel

Environmental Operation Range:

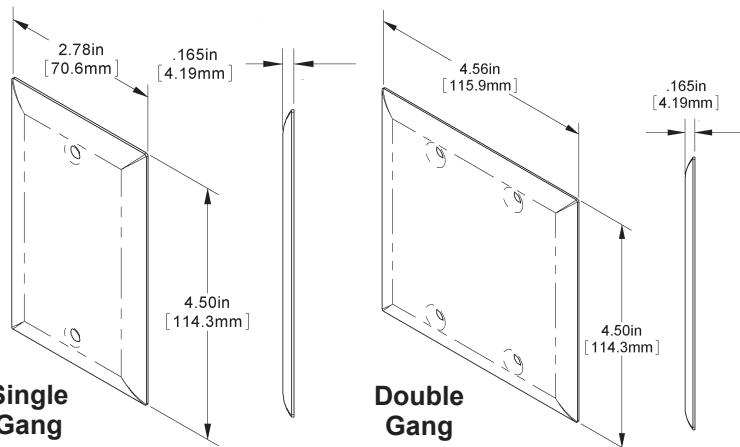
Temperature:

-40 °C to 100 °C

-20 °C to 70 °C with transmitter

Humidity:

0 to 95%, non-condensing



*All Passive Thermistors 20KΩ and smaller are CE compliant.



12/07/15

Wall Plate Units

Temperature Sensors

A31Ordering Grids without List Prices are available on our website at www.bapivac.com

Note: Many color and finish options are available as special orders. Call BAPI for details.

Ordering Information		Wall Plate Units - Temperature	List Price	Your Order				
BA/								
Sensor Type (Required)		Use the designator number (shown to the left in bold) to indicate the sensor						
##		<p>THERMISTORS</p> <p>1.8K 1.8K Ω @ 25 °C 3K 3K Ω @ 25 °C 3.25K 3.25K Ω @ 25 °C (T30 type) 3.3K 3.3K Ω @ 25 °C 10K-2 10K Ω @ 25 °C 10K-3 10K Ω @ 25 °C 10K-3[11K] 5,238 Ω @ 25 °C 20K 20K Ω @ 25 °C 50K 50K Ω @ 25 °C 100K 100K Ω @ 25 °C</p> <p>RTDs</p> <p>1K[375] 1K Ω Platinum @ 0 °C, 3.75 Ω/°C temp. coeff. 1K[Ni] 1K Ω Nickel @ 21°C, 5 Ω/°C temp. coeff. 1K 1K Ω Platinum @ 0 °C, 3.85 Ω/°C temp. coeff. 2K 2K Ω Silicon @ 20 °C, 8 Ω/°C temp. coeff.</p> <p>SEMICONDUCTORS</p> <p>334 LM334 Semiconductor 592 AD592 Semiconductor, 273 μA @ 0 °C 592-10K AD592 Semicond. with 10 kΩ shunt resistor, 2.73 V @ 0 °C</p> <p>TEMPERATURE TRANSMITTERS (not available with Louvered Plates)</p> <p>T1K[range] 1K Platinum RTD, 1,000 Ω @ 0 °C with 4 to 20 mA Output T1KM[range] 1K Platinum RTD, 1,000 Ω @ 0 °C with MATCHED* 4 to 20 mA Output T10K[range] 10K Thermistor, 10,000 Ω @ 25 °C with 4 to 20 mA Output T10K5[range] 10K Thermistor, 10,000 Ω @ 25 °C with 0 to 5 VDC Output T10K10[range] 10K Thermistor, 10,000 Ω @ 25 °C with 0 to 10 VDC Output</p> <p>TEMPERATURE TRANSMITTER RANGES</p> <p>Custom temperature transmitter ranges are available. Common ranges listed below</p> <p>40 TO 90F 4 TO 32C 45 TO 96F 7 TO 35C 0 TO 100F -18 TO 38C</p>	<p>Thermistors \$18 Each</p> <p>RTD's \$25 Each or \$35 for 1K[Ni]</p> <p>Semi-conductors \$25 Each</p> <p>Temperature Transmitters \$100 for T1K & T10K</p> <p>\$280 for & T1KM</p>	<p>\$ _____</p> <p>\$ _____</p> <p>\$ _____</p> <p>\$ _____</p>				
Finish / Material Designation (Required)		Call BAPI if a colored Wall Plate is needed.						
-SP**	Stainless Steel, Type 302/304, Satin Finish, Single Gang (standard)		\$0	\$ _____				
-SP-152**	Stainless Steel, Type 302/304, Satin Finish, Double Gang Call BAPI if you would like three or more gang Wall Plate Units		\$20	\$ _____				
-AP	Aluminum, Clear Anodized, Single Gang (standard)		\$0	\$ _____				
-SP-631*	Stainless Steel, Type 302/304, Satin Finish, Louvered Plate, Box Mount - vertical mount, single gang		\$10	\$ _____				
Override Switch Options		Not available on louvered plates.						
-O	Standard Pushbutton Override Switch		\$10	\$ _____				
-O1	Durable Style Pushbutton Override		\$24	\$ _____				
-O2	Low Profile Style Pushbutton Override		\$57	\$ _____				
-O2G5	Low Profile Pushbutton Override, Green LED, 5 VDC ¹		\$100	\$ _____				
-O2G24	Low Profile Pushbutton Override, Green LED, 24 VDC or VAC ¹		\$100	\$ _____				
-O2R5	Low Profile Pushbutton Override, RED LED, 5 VDC ¹		\$100	\$ _____				
-O2R24	Low Profile Pushbutton Override, RED LED, 24 VDC or VAC ¹		\$100	\$ _____				
-K	Keyswitch Override: momentary, normally open		\$45	\$ _____				
-OWD	Washdown Keyswitch, NO & NC		\$230	\$ _____				
Optional Comm. Jack		Not available on louvered plates.						
-C35	Communication Jack: phono-style (3.5 mm)		\$10	\$ _____				
Optional Spanner Security Screws								
-SEC1	Spanner Security Screws ²		\$2	\$ _____				
EXAMPLE								
BA/	10K-2	-AP-152	-O	-C35	-SEC1			
Example Part Number: BA/10K-2-AP-152-O-C35-SEC1							Total =	\$ _____
Your Part Number:								

Call BAPI if you have questions about the above ordering grid or the configuration of the product you are ordering.

Three or more gang Wall Plate Units are available. Call BAPI for details.

¹Voltage to power LED indicator (5 VDC or 24 VDC or VAC) must come from the controller or other external source.²Security Screws are stainless steel and may not match the color of the aluminum wall plate

*Louvered Plates are not available with Temperature Transmitters, Override or Comm. Jack

**Double gang is required when used with Temp. Transmitter and Override or Comm. Jack. (See "-SP-152" option above)



Building Automation Products, Inc. • 750 North Royal Avenue, Gays Mills, WI 54631 USA

Tel: +1-608-735-4800 • Fax: +1-608-735-4804 • Email: sales@bapivac.com • Web: www.bapivac.com