



Features & Options

- Stainless Steel Wall Plate
- Rotary Setpoint Adjustment
- Occupant Override Pushbutton (optional)
- 3.5 mm Communication Jack (optional)
- Pressure Pickup Port (optional)
- Wide Selection of Temperature Sensing Elements
- Limited Lifetime Warranty

Rotary Setpoint & Legend

The Rotary Setpoint is a linear adjustment that comes in various ranges, and is available as reverse or direct acting. A Setpoint Legend can be imprinted on the face of the Wall Plate. The standard legends is “-” to “+”. Custom legends are also available, please call BAPI for details.

Override Pushbutton

The optional Override is a discreet momentary signal that can be configured to be compatible with any controller. It is available in three styles — Standard, Durable or Low Profile (with or without an LED override indicator). All Low Profile pushbuttons are water resistant for washdown/wipedown cleaning.

Communication Jack

An optional 3.5 mm phono plug style comm. jack is also available.

Pressure Pickup Port

An optional Pressure Pickup Port is also available. The brass fitting on the back accommodates 1/8” to 5/32” tubing.

Note: Choosing two or more options in addition to the Rotary Setpoint requires a doublegang enclosure.

*All Passive Thermistors 20KΩ and smaller are CE compliant.



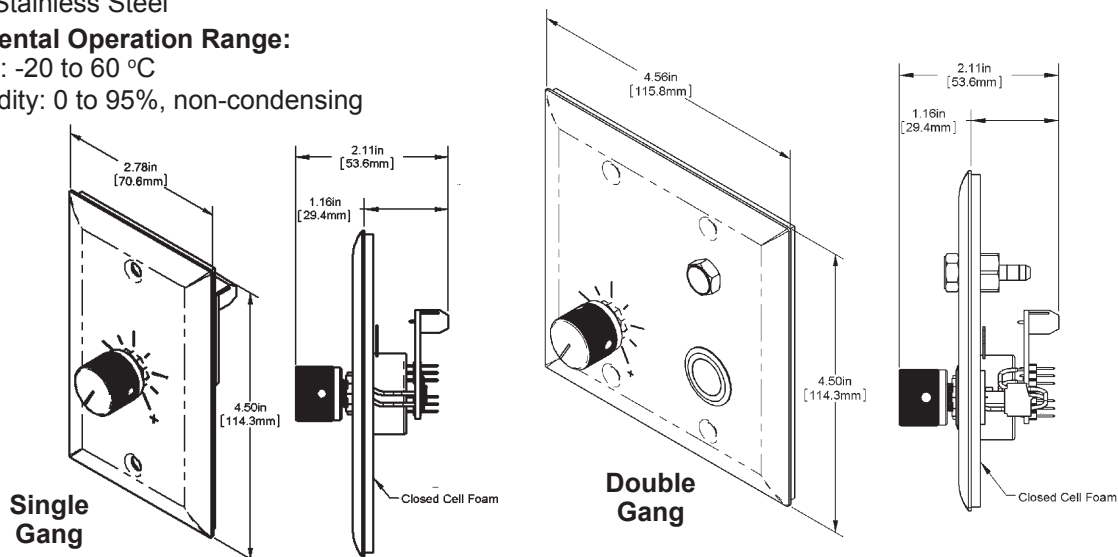
Specifications

Material: Stainless Steel

Environmental Operation Range:

Temp: -20 to 60 °C

Humidity: 0 to 95%, non-condensing





Wall Plate with Rotary Setpoint

Temperature Sensors

A33

04/27/15

Ordering Grids without List Prices are available on our website at www.bapivac.com

Ordering Information		Wall Plate with Rotary Setpoint				List Price	Your Order	
BA/	Sensor Type (Required) Use the designator number (shown to the left in bold) to indicate the sensor							
#	THERMISTORS		RTDs			Thermistors		
	1.8K	1.8K Ω @ 25 °C	1K[375]	1K Ω Platinum @ 0 °C, 3.75 Ω/°C temp. coeff.		\$18 Each	\$ _____	
	3K	3K Ω @ 25 °C	1K[Ni]	1K Ω Nickel @ 21°C, 5 Ω/°C temp. coeff.		RTD's		
	3.25K	3.25K Ω @ 25 °C (T30 type)	1K	1K Ω Platinum @ 0 °C, 3.85 Ω/°C temp. coeff.		\$25 Each	\$ _____	
	3.3K	3.3K Ω @ 25 °C	2K	2K Ω Silicon @ 20 °C, 8 Ω/°C temp. coeff.		or		
	10K-2	10K Ω @ 25 °C	SEMICONDUCTORS			\$35 for 1K[Ni]	\$ _____	
	10K-3	10K Ω @ 25 °C	592	AD592 Semiconductor, 273 μA @ 0 °C		Semi-conductors	\$ _____	
	10K-3[11K]	5,238 Ω @ 25 °C					\$25 Each	\$ _____
	20K	20K Ω @ 25 °C						
	50K	50K Ω @ 25 °C						
100K	100K Ω @ 25 °C							
Enclosure Configuration (Required)								
-SP	Stainless Steel Wall Plate							
Setpoint (Required) Must select Legend and Range								
##	SETPOINT LEGEND (insert Designator #)					\$50	\$ _____	
	Legend Range	Designator						
	+/-	Z						
	Other Setpoint Legends are Available, call BAPI for details.							
SETPOINT OUTPUT VALUE RANGE (insert Designator #)								
	Desired Range	Designator	Desired Range	Designator				
	0 to 5 Volts*	00	2 k to 3 kΩ	42				
	1 to 5 Volts*	01	10 k to 11 kΩ	44				
	3.7 to .85 Volts*	02	12.5 k to 11.5 kΩ	45				
	5 to 0 Volts*	03	1000 to 0 Ω	46				
	4.2 to 1.2 Volts*	04	0 to 10 kΩ	60				
	2.75 to 3.34 V*	05	15 k to 5 kΩ	61				
	0 to 10 Volts*	10	1 k to 11 kΩ	63				
	674 to 274 Ω	23	0 to 20 kΩ	80				
	800 to 1200 Ω	25	4.75 k to 24.75 kΩ	81				
	909 to 1309 Ω	26	6.19 k to 26.19 kΩ	82				
	1800 to 2200 Ω	27	7.87 k to 27.87 kΩ	83				
	0 to 1000 Ω	40	10 k to 30 kΩ	84				
Optional Override Pushbutton Style Skip if not required								
-O	Standard Pushbutton Override Switch					\$10	\$ _____	
-O1	Durable Style Pushbutton Override					\$24	\$ _____	
-O2	Low Profile Style Pushbutton Override					\$57	\$ _____	
-O2G5	Low Profile Pushbutton Override, Green LED, 5 VDC**					\$100	\$ _____	
-O2G24	Low Profile Pushbutton Override, Green LED, 24 VDC or VAC**					\$100	\$ _____	
-O2R5	Low Profile Pushbutton Override, RED LED, 5 VDC**					\$100	\$ _____	
-O2R24	Low Profile Pushbutton Override, RED LED, 24 VDC or VAC**					\$100	\$ _____	
-OWD	Washdown Keyswitch, NO & NC					\$230	\$ _____	
Override Configuration (Required)								
-J	Override as a Separate Input							
-N	Override in Parallel (//) with Sensor							
-P	Override in Parallel (//) with Setpoint							
-Z	No Override							
Optional Communication Jack Skip if not required								
-C35	3.5 mm Phono Style Jack					\$10	\$ _____	
Optional Pressure Pickup Skip if not required								
-P01	Pressure Pickup Port					\$5	\$ _____	
Doublegang Enclosure (Required if two or more options are selected in addition to the rotary setpoint)								
-DBG	Doublegang Enclosure					\$15	\$ _____	
Connection Configuration (Required)								
-CG	Common Ground							
-DF	Differential Inputs							
Optional Security Screws								
-SEC1	Spanner Security Screws							
EXAMPLE								
BA/	10K-2	-SP	Z25	-O2	-J	-C35	-CG	
Example Part Number: BA/10K-2-SPZ25-O2-J-C35-CG						Total =	\$ _____	
Your Part Number:								

Call BAPI if you have questions about the above ordering/pricing grid or the configuration of the product you are ordering.

*For voltage output options: 5 VDC must be supplied for outputs of 5 VDC and below and 10 VDC must be supplied for the 0 to 10 VDC output.

**Voltage to power LED indicator (5 VDC or 24 VDC or VAC) must come from the controller or other external source.

