



Humidity & Combination Temp/Humidity Sensors

Rev. 12/08/10

Voltage Output Modules (VOM)

The Voltage Output Module (VOM) converts the data from the Washdown Wall Plate into a linear 0-5 volt or 0-10 volt signal for the DDC controller. Includes the "Voltage Output" pluggable terminal block connector.

Ordering Information		Voltage Output Module	
BA/VOM			
	Voltage Output		
	-05	0 to 5 Volt Output	
	-10	0 to 10 Volt Output	
		Temperature or Humidity Range	
	-C	50 to 90°F or 10 to 32°C Temp. Range	
	-D	55 to 85°F or 13 to 30°C Temp. Range	
	-E	60 to 80°F or 15 to 27°C Temp. Range	
	-F	65 to 80°F or 18 to 27°C Temp. Range	
	-G	45 to 96°F or 7 to 35°C Temp. Range	
	-H	-20 to 120°F or -29 to 49°C Temp. Range	
	-KK	32 to 185°F or 0 to 85°C Temp. Range	
	-MM	-40 to 140°F or -40 to 60°C Temp. Range	
	-M	0 to 100% RH	
	-N	35 to 70% RH	
		Optional °C Temperature Range (°F is Standard)	
		Skip if -M or -N is selected	
	-C	°C Temperature Range	
		Mounting	
	-EZ	EZ Mount	
EXAMPLE			
BA/VOM	-05	-C	
Part Number: BA/VOM-05-C			
Your Part Number:			

Call BAPI if you have questions about the above ordering grid. Custom ranges are available. Call BAPI for more information.

(See Pages 30-31 for Pricing)

Analog Output Module Accessories

Analog Output Modules (AOMs), such as the Voltage Output Module, are connected to a Washdown Wall Plate Power Supply (pg. B26) and receive the temperature or humidity data through a four-wire bus. Up to 30 different AOMs can be connected to a single Power Supply; therefore one Power Supply can power up to 15 different Wall Plates. Each AOM is easily trained to a specific Wall Plate signal with a pushbutton and LED. The modules are surface, 2.75" snaptrack or 35mm din rail mountable.

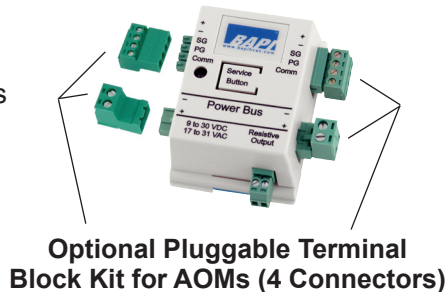
AOMs plug into each other or a Washdown Wall Plate Power Supply as shown in the top picture at right.

However, the AOMs may also be mounted remotely using the optional Pluggable Terminal Block Connectors which are available as a 4-connector kit.

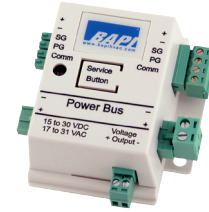
PART NUMBER:

BA/AOM-CONN:

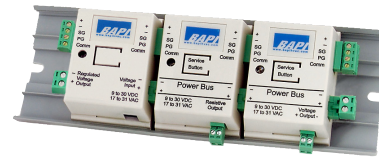
Pluggable Terminal Block Kit for AOMs (includes 4 terminal block connectors)



Optional Pluggable Terminal Block Kit for AOMs (4 Connectors)



Voltage Output Module (VOM)
(Includes the Voltage Output terminal block connector only)



Washdown Power Supply with two Output Modules

Specifications

Supply Power:

0-5Vdc models: 9-30 VDC or 17-31 VAC
0-10Vdc models: 15-30 VDC, 17-35 VAC

Output Voltage Range:

0-5 Volts or 0-10 Volts (factory calibrated)

Output Current: 1 mA max

Power Consumption:

3 mA max. DC, .1 VA max AC

Bus Cable Distance:

4,000 ft with shielded, twisted pair cable (Belden 9841, Belden 8132 or equivalent)

Output Resolution: 10 bit

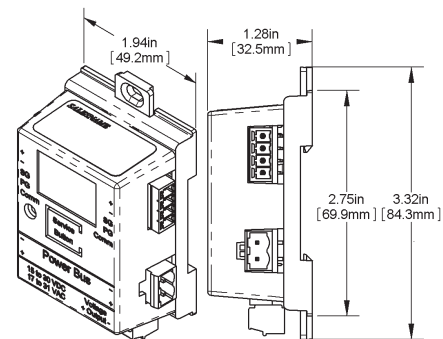
Environmental Operation Range:

Temp: 0° to 60°C (32°F to 140°F)

Humidity: 5% to 95% RH non-condensing

Material: ABS Plastic

Material Rating: UL94, V-0



Voltage Output Module