



Features & Options

- Delta Style or BAPI-Stat 4 Enclosures
- 4 to 20 mA Temperature Output
- Optional Display on the BAPI-Stat 4
- Optional Override and Setpoint on the BAPI-Stat 4
- Optional Communications Jack
- Two Year Warranty

The T1K Transmitter Room Unit comes in the Delta style and BAPI-Stat 4 style enclosures. They measure the room temperature and output a 4 to 20mA signal per the custom range selected at the time of order.

The BAPI-Stat 4 Style unit offers a full range of options including setpoint, override, display, communication jack, field offset, field ranging, °F or °C and a new stylish look.

For detailed specifications on the T1K Transmitter, turn to the Sensors section



BAPI-Stat 4 Units with white and gray logo plate.



Delta Style Unit (Not available with Display, Setpoint, Override or Comm. Jack.)

Specifications

Power:

12 to 30VDC (28 VDC max. recommended)

Transmitter Output:

4 to 20mA, 600Ω to 850Ω@24VDC

Power Consumption:

40 mA maximum

Sensing Element:

1KΩ Platinum RTD

Environmental Operation Range:

Temperature, Delta: 32 to 122°F (0 to 50°C)

Temperature, BS4: 15°F to 130°F, (-9° to 54°C)

Humidity: 0 to 95%, non-condensing

Mounting: Standard 2" by 4" J-box or drywall mount (mounting screws provided)

Wiring: 1 to 3 pair of 16 to 22AWG, plus comm. jack

Options:

Comm. Jack..... Optional 3.5mm (1/8") Phono Jack or RJ11 Phone Jack

Setpoint..... BS2 & BS4, Resistive or 4 to 20mA

Display BS4, 3.5 digit, 2"W x 1.1"H

External Sensor .. BS2 & BS4, Remote Mounted RTD

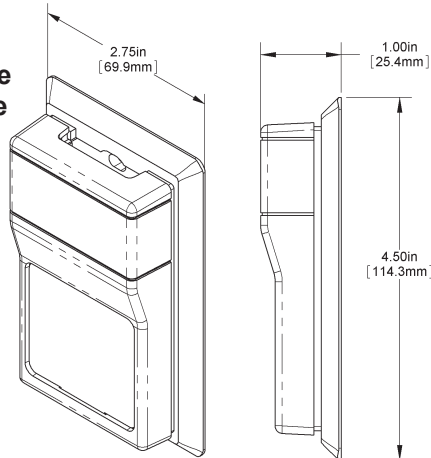
Material & Rating:

BAPI-Stat 4..... ABS Plastic, UL94 V-0

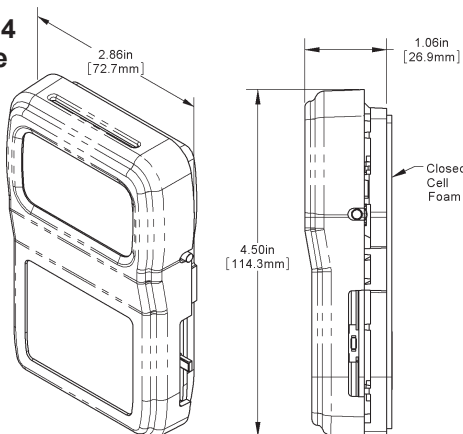
Delta Style ABS Plastic, UL94 HB

Agency: RoHS

Delta Style Enclosure



BAPI-Stat 4 Enclosure





T1K Transmitter Room Unit

Temperature Sensors

A23

Rev. 09/01/16

Ordering Grids without List Prices are available on our website at www.bapivac.com

Ordering Information		T1K Temperature Transmitter Room Unit	List Price	Your Order										
BA/														
Temperature Transmitter Type Must select one - Must include a Range														
T1K[range]	1K Platinum RTD, 1,000 Ω @ 0 °C with 4 to 20 mA Output		\$100	\$ _____										
T1KM[range]	1K Platinum RTD, 1,000 Ω @ 0 °C with MATCHED* 4 to 20 mA Output		\$280	\$ _____										
Ranges for Temperature Transmitters														
Custom temperature transmitter ranges are available. Common ranges are listed below														
65 TO 80F	18 TO 27C	40 TO 90F	4 TO 32C											
60 TO 80F	15 TO 27C	45 TO 96F	7 TO 35C											
55 TO 85F	13 TO 30C	0 TO 100F	-18 TO 38C											
50 TO 90F	10 TO 32C													
Enclosure Style Must select one														
-R	Delta Style Room Enclosure (Not available with Display, Setpoint, Override or Comm. Jack in the Delta Style Enclosure)													
-B4S	BAPI-Stat 4 Style Room Enclosure		\$50	\$ _____										
LCD Display Must select one														
D	LCD Display (Only available for the BAPI-Stat 4 Style Enclosure)		\$35	\$ _____										
X	No LCD Display													
Setpoint Display Options Must select one - Setpoint display only available for BAPI-Stat 4 units														
- #		Note: Setpoint display range cannot be larger than the Temperature Transmitter range selected above.												
		SETPOINT DISPLAY OPTIONS See page I3 for Additional Setpoint Display Ranges.												
	Desired Range	Designator	Desired Range	Designator										
	-2 to +2	P	65 to 80 °F or 18 to 27 °C	F										
	-3 to +3	A	45 to 96 °F or 7 to 36 °C	G										
	-5 to +5	B	70 to 74 °F or 21 to 23 °C	L										
	50 to 90 °F or 10 to 32 °C	C	60 to 85 °F or 15 to 30 °C	AA										
	55 to 85 °F or 13 to 30 °C	D	41 to 85 °F or 5 to 30 °C	CC										
	60 to 80 °F or 15 to 27 °C	E	No Setpoint Display	X										
Optional Setpoint If setpoint is selected, you must select a Range and Legend)														
		SETPOINT OUTPUT VALUE RANGE See page I2 for Additional Setpoint Output Ranges												
	Desired Range	Designator	Desired Range	Designator										
	674 to 274 Ω	23	15 k to 5 kΩ	61										
	800 to 1200 Ω	25	0 to 20 kΩ	80										
	909 to 1309 Ω	26	4.75 k to 24.75 kΩ	81										
	1800 to 2200 Ω	27	6.19 k to 26.19 kΩ	82										
	0 to 1000 Ω	40	7.87 k to 27.87 kΩ	83										
	2 k to 3 kΩ	42	10 k to 30 kΩ	84										
	0 k to 10 kΩ	60	4 to 20 mA	16***										
	##													
SETPOINT LEGEND														
	Legend Range	Designator	Legend Range	Designator										
	5 to 30 C	L1	65 to 80 F	L4										
	55 to 85 F	L2	COOL/WARM	L6										
	60 to 85 F	L3	No Legend	L0										
Override Configuration Must select one - Override not available for Delta Style Units														
	-J	Override as a Separate Input		\$5 for any Override										
	-N	Override in Parallel (//) with the Sensor (Only available for the BAPI-Stat 4 Style Units)												
	-P	Override in Parallel (//) with Setpoint												
	-Z	No Override												
Optional Comm. Jack Skip if not required - Not available for Delta Style units														
	-C11L	RJ11 (4 pin) Style Jack with Leads Attached		\$20										
	-C11LT	RJ11 (4 pin) Style Jack with Leads and a Terminal Block Attached		\$20										
	-C35L	3.5 mm (3 pin) Phono Style Jack with Leads Attached		\$10										
	-C35LT	3.5 mm (3 pin) Phono Style Jack with Leads and a Terminal Block Attached		\$10										
Connection Configuration Must select one														
	-CG	Common Return**												
	-DF	Differential Inputs^ - Required for 4-20 mA setpoint												
Optional External Sensor for BAPI-Stat 4														
	-ES	External RTD Sensor (order separately)												
BAPI-Stat 4 Logo Plate Color														
	-WMW	Warm White Logo Plate Color												
	-GRY	Gray Logo Plate Color												
EXAMPLE														
BA/	T1K[65 TO 80F]	-B4S	D	-P	25L6	-J	-C35L	-CG		-GRY				
Example Part Number: BAVT1K[65 TO 80F]-B4SD-P25L6-J-C35L-CG-GRY											Total =	\$ _____		
Your Part Number:														

Call BAPI if you have questions about the above ordering/pricing grid or the configuration of the product you are ordering.

*Matched transmitters use Class A & are matched at 25%, 50% & 75% of calibrated scale

**There is a common between the setpoint and override if the setpoint is resistive.

***If 4-20 mA setpoint output range (#16) is selected, then the bottom of a vertical slider equals a setpoint output of 4 mA and the top on a vertical slider equals a 20 mA setpoint output. The 4-20 mA setpoint can only be used with the -B4S enclosure sensor and requires a -DF (differential input) designation.

^Setpoint and Override terminals do not share a common connection

