

Rev. 01/31/06

**Features & Options**

- Small Flathead Screwdriver for Terminal Block
- 1/16" Allen Wrench for Cover Locking Screws
- Works on Delta, PreCon and Powers Style Enclosures

BAPI Screwdriver & Allen Wrench Combinations are especially useful for installing BAPI Room Units. The small, flathead screwdriver can be used to turn the screws on the circuit board terminal block while the 1/16" allen wrench is used for the locking screws on the removable cover (See figures below). One 6" screwdriver (BA/116) is included with every 25 room units ordered. This model is not designed for prolonged use. The 6.75" model (BA/116W) is designed for prolonged use.



**BAPI 6.75" Screwdriver & Allen Wrench Combination (top) and the 6" Screwdriver & Allen Wrench Combination (bottom)**

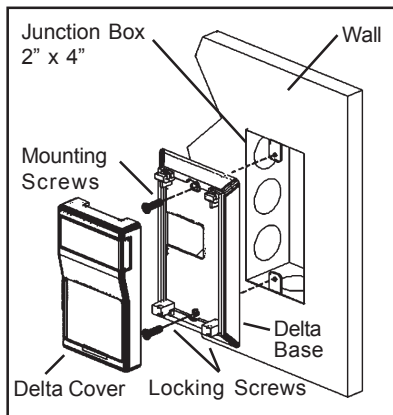
**ORDERING INFORMATION**

**Part Number:** BA/116W - BAPI 6.75" Screwdriver & Allen Wrench Combination

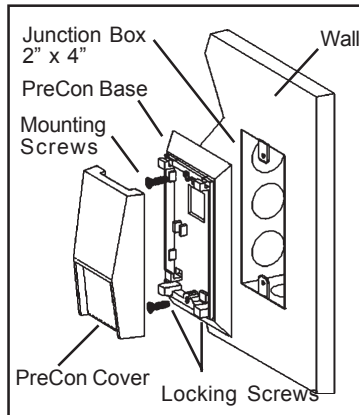
**Part Number:** BA/116 - BAPI 6" Screwdriver & Allen Wrench Combination

**Allen Wrench Locking Screw Locations for Room Units**

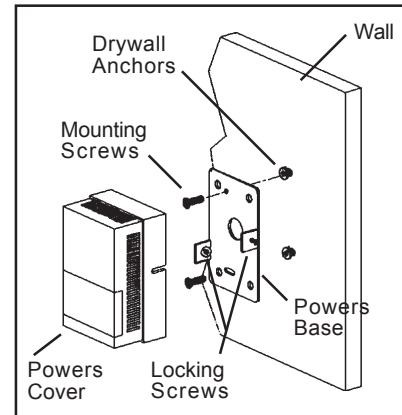
The figures below show the location of the locking screws on each of the room unit enclosures. The BAPI Screwdriver can be used with all three enclosures. For the Delta and Precon style enclosures, simply snap the cover in place and turn the locking screws counterclockwise with the allen wrench, backing them out to lock the cover in place. For the Powers style, snap the cover in place and then turn the locking screws clockwise with the allen wrench until the screws are snug against the cover.



**Delta Style Enclosure**



**PreCon Style Enclosure**



**Powers Style Enclosure**

**Spanner Security Screws & Bit****Features & Options**

Spanner Security Screws add an extra level of protection for Wall Plate Units. The Security Screws and associated Spanner Bit are available for any Stainless Steel Wall Plate Unit.

**ORDERING INFORMATION**

**Part Number:** BA/SP632x1 - Spanner Security Screws, 6-32x1" (box 50)

**Part Number:** BA/SPBIT - Spanner Bit for Spanner Security Screws



**Spanner Security Screws**



**Spanner Bit**