



Features & Options

- Delta Style Enclosure with Display
- Optional Slider Setpoint Adjustment
- Optional Pushbutton Occupancy Override with LED
- Optional Communication Jack and Test & Balance Switch
- Wide Selection of Temperature Sensing Elements
- Two Year Warranty

The R μ PS sensor provides measurement and display of local temperature with Setpoint Adjust and Occupancy Override. Room temperature is displayed on an easy-to-read LCD readout. The Setpoint Adjust is a vertical slidepot which provides an analog output and comes with a Warm/Cool legend imprinted on the unit's base (Optional setpoint indication is available).

Setpoint values are transmitted as resistive or voltage values for easy configuration with the controller. The Override is a momentary signal that can be configured as a direct output or in parallel with the Sensor or Setpoint. An optional 3.5mm (1/8"), RJ11 or RJ22 comm. jack can be mounted in the base. The sensor and setpoint outputs can be configured for "common ground" or "differential" controller inputs.

For detailed specs on the individual Sensors & Transmitters, turn to the Sensors section.



R μ PS

BAPI-Guard

- Prevents Tampering
- Exceptional Airflow
- Two Sizes

(See Accessories)



Specifications

Power: 5 VDC (only if 5 VDC option is selected when ordered)
9 to 40 VDC (15 to 24 VDC recommended)
15 to 28 VAC (Requires a separate pair of shielded wires)

Power Consumption: 10 mA max DC, .2 VA max AC

Sensing Element: Thermistor, RTD or Semiconductor

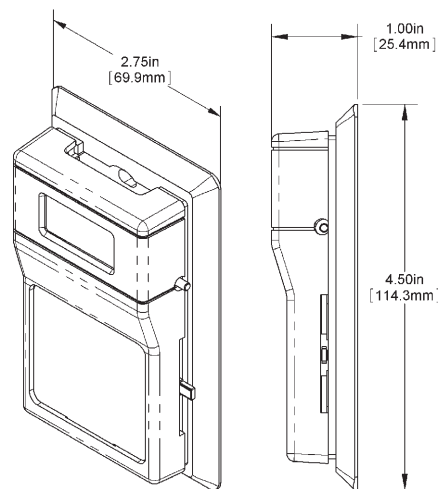
Wiring: 2 to 5 pair of 16 to 22AWG*

Comm. Jack: Optional 3.5mm (1/8") Phono Jack
or RJ11 Phone Jack

Mounting: Standard 2" by 4" J-box
or drywall mount (screws provided)

Environmental Operation Range:
Temperature: 32 to 122 °F (0 to 50 °C)
Humidity: 0 to 95%, non-condensing

Enclosure Material & Rating: ABS Plastic, UL94 HB



VC350A "EZ" - Voltage Converter

BAPI recommends using DC power on room units for a more stable reading. Our 350mA "EZ" unit is a perfect way to convert 24 VAC to 5, 12, 15 or 24 VDC.



*BAPI recommends that you do not run wiring for the Room Units in the same conduit as line voltage wiring or with wiring used to supply highly inductive loads such as motors, generators and coils.



Rev. 02/24/15

RuPS™ Room Unit

Temperature Sensors

A13

Ordering Information		RuPS Room Unit - Temperature						
BA/RuPS	Microprocessor Based Room Sensor with LCD readout, LED lamp & optional slide setpoint.							
Display Mode (Must select one)		Pick F (°F) or C (°C) indication						
F	Temperatures Displayed in °F							
C	Temperatures Displayed in °C							
Setpoint Configuration Option		Warm/Cool legend imprinted on base of enclosure is standard.						
#	SETPOINT DISPLAY OPTIONS (Skip if not required)							
	Desired Range	Designator	Desired Range	Designator				
	-2 to +2	P	55 to 85 °F or 13 to 30 °C	D				
	-3 to +3	A	60 to 80 °F or 15 to 27 °C	E				
	-5 to +5	B	65 to 80 °F or 18 to 27 °C	F				
	50 to 90 °F or 10 to 32 °C	C	70 to 74 °F or 21 to 23 °C	L				
##	SETPOINT OUTPUT VALUE RANGE (Skip if not required)							
	Desired Range	Designator	Desired Range	Designator				
	800 to 1200 Ω	25	0 to 20 kΩ	80				
	909 to 1309 Ω	26	4.75 to 24.75 kΩ	81				
	1800 to 2200 Ω	27	6.19 to 26.19 kΩ	82				
	0 to 1 kΩ	40	7.87 to 27.87 kΩ	83				
	500 to 1500 Ω	41	10 to 30 kΩ	84				
	2 to 3 kΩ	42	0 to 100 kΩ	90				
	0 to 10 kΩ	60	0 to 5 V*	00				
	15 to 5 kΩ	61	5 to 0 V*	03				
See App. Notes pg 12 and 13 for additional Setpoint Output Ranges and Setpoint Display Ranges								
Override Configuration		Must select one						
-J	Override as a Separate Input							
-N	Override in Parallel (//) with Sensor: NOT available on voltage sensor models							
-P	Override in Parallel (//) with Setpoint: NOT available on voltage setpoint models							
-Z	No Override (needed if system designator present and ordering a unit with setpoint, but NO override)							
Optional Communication Jack		Mounted in unit's base						
-C11L	RJ11 (4 pin) Style Jack with Leads Attached							
-C11LT	RJ11 (4 pin) Style Jack with Leads and a Terminal Block Attached							
-C35L	3.5 mm Phono Style Jack with Leads Attached							
-C35LT	3.5 mm Phono Style Jack with Leads and a Terminal Block Attached							
-C22L	RJ22 (4 pin) Style Jack with Leads Attached							
-C22LT	RJ22 (4 pin) Style Jack with Leads and Terminal Block Attached							
Power Available at Panel		Must select one						
-5	Regulated, 5 VDC							
-24	9 to 40 VDC or 15 to 28 VAC							
Direct Out Sensor		Must select one						
-1375	1K Platinum RTD, 1,000 Ω @ 0 °C, 3.75 Ω/°C temp. coeff.							
-1NI	1K Ω Nickel @ 21°C, 5 Ω/°C temp. coeff.							
-1	1K Platinum RTD, 1,000 Ω @ 0 °C, 3.85 Ω/°C temp. coeff.							
-2	2K Silicon RTD, 2,000 Ω @ 20 °C, 8 Ω/°C temp. coeff.							
-18	1.8K Thermistor, 1,800 Ω @ 25 °C							
-3	3K Thermistor, 3,000 Ω @ 25 °C							
-33	3.3K Thermistor, 3,300 Ω @ 25 °C							
-102	10K-2 Thermistor, 10,000 Ω @ 25 °C							
-103	10K-3 Thermistor, 10,000 Ω @ 25 °C							
-10311	10K-3[11K] Thermistor, 5,238 Ω @ 25 °C, 11kΩ shunt resistor							
-20	20K Thermistor, 20,000 Ω @ 25 °C							
-50	50K Thermistor, 50,000 Ω @ 25 °C							
-100	100K Thermistor, 100,000 Ω @ 25 °C							
-592	AD592 Semiconductor, 273 μA @ 0 °C							
-ES	External sensor for display. Order 10K-2 separately. 24" max. (No direct sensor. A separate sensor for the controller input is required).							
Optional Test and Balance Switch		Skip if not required						
-TB	Three Position Test & Balance Switch - "Low" & "High" values vary, "Normal" is live sensor value, call for details.							
Connection Configuration		Select one, default is common ground						
-CG	Common Ground (Required for Voltage Setpoint)							
-DF	Differential Inputs (only with resistive setpoint)							
Optional Copla White Enclosure		Warm White is Standard						
-CPW	Copla White Enclosure Color							
EXAMPLE								
BA/RuPS	C	-A41	-N	-C11LT	-24	-1	-TB	-DF
Example Part Number: BA/RuPSC-A41-N-C11LT-24-1-TB-DF								
Your Part Number:								

All models can be field calibrated so the displayed ambient temperature value matches a reference device (±3°, ½° steps), call for details.

All models include an LED which can be activated by logic LOW (GND) at the terminal block and which is limited via a 1kΩ series resistor. Other options are available. Call your BAPI representative for more information.

Call BAPI if you have questions about the above ordering grid or the configuration of the product you are ordering.

*Common Ground Only



Building Automation Products, Inc. • 750 North Royal Avenue, Gays Mills, WI 54631 USA

Tel: +1-608-735-4800 • Fax: +1-608-735-4804 • Email: sales@bapivac.com • Web: www.bapivac.com