



Features & Options

- Low Profile Enclosure
- Optional Setpoint and Override
- Optional Communication Jack
- Optional Bi-Metal Indicator
- Wide Selection of Temperature Sensing Elements
- Limited Lifetime Warranty



PreCon Style with Setpoint and Override

Setpoint

A 3-position switch allows limited control over the zone's Setpoint. In the center position, the Setpoint is at the system default. If the switch is moved to the left or right, the Setpoint is decreased or increased by a system defined amount.

Override

Allows the occupant to extend the zone occupancy schedule by a system determined amount. Each time the switch is moved to the side, the amount of time that the occupancy is extended increases by a set amount of time.

Communication Jack

An optional communication jack is available.

Bi-Metal Indicator

An optional Bi-Metal Indicator can display room temperature; accurate to ± 1 °F. The display is protected by an acrylic plate and comes with a 50 to 90 °F or 10 to 30 °C legend.



PreCon Style with Bi-metal Indicator

For detailed specs on the individual Sensors & Transmitters, turn to "Sensors".

* All Passive Thermistors 20K Ω and smaller are CE compliant.

BAPI Adaptor Plates for Retrofits

The BAPI Adaptor Plates are designed for locations where a larger room unit has been previously mounted. The plates are made of flame retardant ABS plastic, and are available in four colors to match any BAPI room unit. The plates can be mounted vertically or horizontally. For more info, see the Accessories section.



Plate & Room Unit



Adaptor Plate

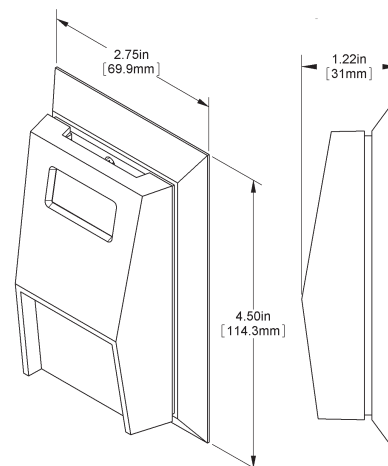
Specifications

Environmental Operation Range:

Temperature: 32 to 122 °F (0 to 50 °C)
Humidity: 0 to 95%, non-condensing

Material: ABS Plastic

Material Rating: UL 94, HB





PreCon Style Room Units

A37

Temperature Sensors

Rev. 01/10/14

Ordering Grids without List Prices are available on our website at www.bapihvac.com

Ordering Information				PreCon Style Room Units - Temperature	List Price	Your Order
BA/	Sensor Type (Required) Use the designator number (shown to the left in bold) to indicate the sensor					
#	THERMISTORS 1.8K 1.8K Ω @ 25 °C 2.2K 2.2K Ω @ 25 °C 3K 3K Ω @ 25 °C 3.25K 3.25K Ω @ 25 °C (T30 type) 3.3K 3.3K Ω @ 25 °C 10K-2 10K Ω @ 25 °C 10K-3 10K Ω @ 25 °C 10K-3[11K] 5,238 Ω @ 25 °C 20K 20K Ω @ 25 °C 47K 47K Ω @ 25 °C 50K 50K Ω @ 25 °C 100K 100K Ω @ 25 °C		RTDs 100 100 Ω Platinum @ 0 °C, .385 Ω/°C temp. coeff. 100[3W] 3 Wire 100 Ω Plat. @ 0 °C, .385 Ω/°C temp. coeff.* 1K[375] 1K Ω Platinum @ 0 °C, 3.75 Ω/°C temp. coeff. 1K[Ni] 1K Ω Nickel @ 21°C, 5 Ω/°C temp. coeff. 1K 1K Ω Platinum @ 0 °C, 3.85 Ω/°C temp. coeff. 2K 2K Ω Silicon @ 20 °C, 8 Ω/°C temp. coeff.		Thermistors \$18 Each \$ _____ RTD's \$25 Each or \$35 for 1K[Ni] \$ _____	
	TEMPERATURE TRANSMITTERS <i>Must include a "range" figure</i> T1K[range] 1K Platinum RTD, 1,000 Ω @ 0 °C with 4 to 20 mA Output T1KM[range] 1K Platinum RTD, 1,000 Ω @ 0 °C with MATCHED* 4 to 20 mA Output		SEMICONDUCTORS 334 LM334 Semiconductor 592 AD592 Semiconductor, 273 μA @ 0 °C 592-10K AD592 Semicond. with 10 kΩ shunt resistor, 2.73 V @ 0 °C		Semi-conductors \$25 Each \$ _____	
	TEMPERATURE TRANSMITTER RANGES Custom temperature transmitter ranges are available. Common ranges are listed below 65 TO 80F 18 TO 27C 40 TO 90F 4 TO 32C 60 TO 80F 15 TO 27C 45 TO 96F 7 TO 35C 55 TO 85F 13 TO 30C 0 TO 100F -18 TO 38C 50 TO 90F 10 TO 32C				Temperature Transmitters \$100 for T1K \$ _____ Temperature Transmitters \$280 for & T1KM \$ _____	
	Enclosure (Required) -RSZ PreCon Style Room Enclosure				\$20	\$ _____
	Optional Plus Model + "Plus" Model includes Setpoint, Override, and Comm Jack (+ Model is not available with a temperature transmitter)				\$24 for + model	\$ _____
	Optional Indicator BM5090 Bi-Metal Indicator: Black 50 to 90 °F legend on a brushed aluminum plate BM1030 Bi-Metal Indicator: Black 10 to 30 °C legend on a brushed aluminum plate				\$60 for any Indicator	\$ _____
EXAMPLE						
BA/	10K-2	-RSZ	+	BM5090		
Example Part Number: BA/10K-2-RSZ+BM5090					Total =	\$ _____
Your Part Number:						

* The 100[3W] sensor is not available with RSZ Model.

Call BAPI if you have questions about the above ordering grid or the configuration of the product you are ordering.

