



Features & Options

- Excellent Air Flow Properties
- Drywall Mounting
- Optional Bi-Metal Display
- Limited Lifetime Warranty
- Wide Selection of Temperature Sensing Elements



Bi-Metal Indicator

An optional Bi-Metal Indicator can display room temperature; accurate to ± 1 °F. The display is protected by a view plate and comes standard with a 50 to 80 °F Legend. This legend is printed in dark brown on a tan background.

For detailed specifications on the individual Sensors & Transmitters, turn to the Sensors section.

* All Passive Thermistors 20K Ω and smaller are CE compliant.



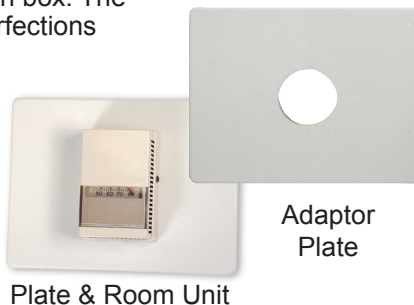
Powers Style Enclosure



Powers Style Enclosure with Bi-metal Indicator

BAPI Adaptor Plates for Retrofits

The BAPI Adaptor Plates allow the Powers Style Room units to be mounted on a standard 2"x4" junction box. The Adaptor Plates also cover wall imperfections in locations where a larger Room Unit (or sensor) has been previously mounted. The Adaptor Plates are made of flame retardant ABS plastic, and are available in four colors to match any BAPI room unit. They can be mounted vertically or horizontally. For more info, see "Accessories".



Specifications

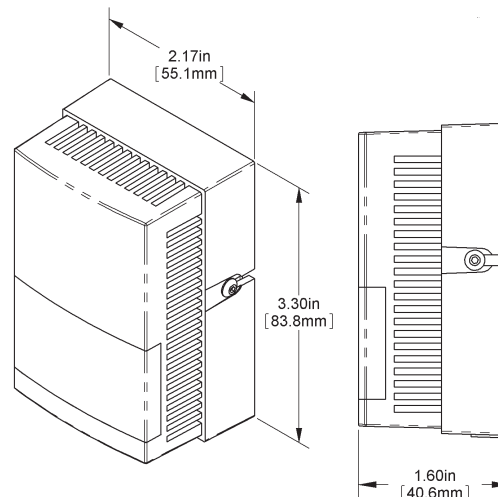
Material: ABS Plastic

Material Rating: UL 94, HB

Environmental Operation Range:

Temperature: 32 to 122 °F (0 to 50 °C)

Humidity: 0 to 95%, non-condensing





Rev. 10/16/12

Powers Style Room Units

A35

Temperature Sensors

Ordering Information		Powers Style Room Unit - Temperature	
BA/	Sensor Type (Required) Use the designator number (shown to the left in bold) to indicate the sensor		
##	THERMISTORS	RTDs	
1.8K	1.8K Ω @ 25 °C	100	100 Ω Platinum @ 0 °C, .385 Ω /°C temp. coeff.
2.2K	2.2K Ω @ 25 °C	100[3W]	3 Wire 100 Ω Plat. @ 0 °C, .385 Ω /°C temp. coeff.
3K	3K Ω @ 25 °C	1K[375]	1K Ω Platinum @ 0 °C, 3.75 Ω /°C temp. coeff.
3.25K	3.25K Ω @ 25 °C (T30 type)	1K[Ni]	1K Ω Nickel @ 21°C, 5 Ω /°C temp. coeff.
3.3K	3.3K Ω @ 25 °C	1K	1K Ω Platinum @ 0 °C, 3.85 Ω /°C temp. coeff.
10K-2	10K Ω @ 25 °C	2K	2K Ω Silicon @ 20 °C, 8 Ω /°C temp. coeff.
10K-3	10K Ω @ 25 °C		
10K-3[11K]	5,238 Ω @ 25 °C	SEMICONDUCTORS	
20K	20K Ω @ 25 °C	334	LM334 Semiconductor
47K	47K Ω @ 25 °C	592	AD592 Semiconductor, 273 μ A @ 0 °C
50K	50K Ω @ 25 °C	592-10K	AD592 Semicond. with 10 k Ω shunt resistor, 2.73 V @ 0 °C
100K	100K Ω @ 25 °C		
	TEMPERATURE TRANSMITTERS		
T1K[range]	1K Platinum RTD, 1,000 Ω @ 0 °C with 4 to 20 mA Output		
T1KM[range]	1K Platinum RTD, 1,000 Ω @ 0 °C with MATCHED* 4 to 20 mA Output		
	TEMPERATURE TRANSMITTER RANGES		
	Custom temperature transmitter ranges are available. Common ranges are listed below		
	65 TO 80F	18 TO 27C	40 TO 90F
	60 TO 80F	15 TO 27C	4 TO 32C
	55 TO 85F	13 TO 30C	45 TO 96F
	50 TO 90F	10 TO 32C	7 TO 35C
			0 TO 100F
			-18 TO 38C
	Enclosure (Required)		
	-RSS	Powers Style Room Enclosure	
		Optional Indicator	
	-BM775	Bi-Metal Indicator: Brown 50 to 80 °F legend on a tan background	
EXAMPLE			
BA/	10K-2	-RSS	-BM775
Example Part Number: BA/10K-2-RSS-BM775			
Your Part Number:			

Call BAPI if you have questions about the above ordering grid or the configuration of the product you are ordering.

