



Features & Options

- Excellent Air Flow Properties
- Drywall Mounting
- Optional Bi-Metal Display
- Limited Lifetime Warranty
- Wide Selection of Temperature Sensing Elements



Bi-Metal Indicator

An optional Bi-Metal Indicator can display room temperature; accurate to ± 1 °F. The display is protected by a view plate and comes standard with a 50 to 80 °F Legend. This legend is printed in dark brown on a tan background.



**Powers Style
Enclosure**

**For detailed specifications on the individual
Sensors & Transmitters, turn to the Sensors section.**

* All Passive Thermistors 20K Ω and smaller are CE compliant.

BAPI Adaptor Plates for Retrofits

The BAPI Adaptor Plates allow the Powers Style Room units to be mounted on a standard 2"x4" junction box. The Adaptor Plates also cover wall imperfections in locations where a larger Room Unit (or sensor) has been previously mounted. The Adaptor Plates are made of flame retardant ABS plastic, and are available in four colors to match any BAPI room unit. They can be mounted vertically or horizontally. For more info, see "Accessories".

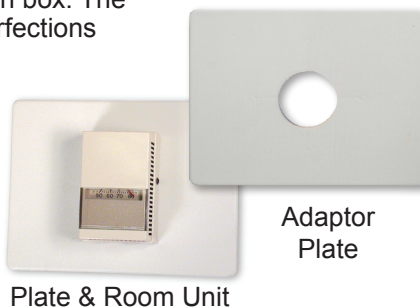
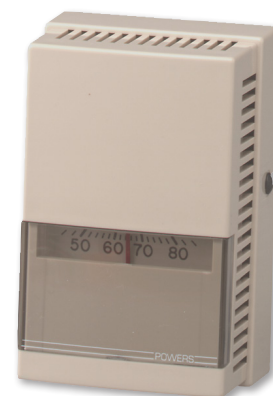


Plate & Room Unit

Adaptor
Plate



**Powers Style
Enclosure with
Bi-metal Indicator**

Specifications

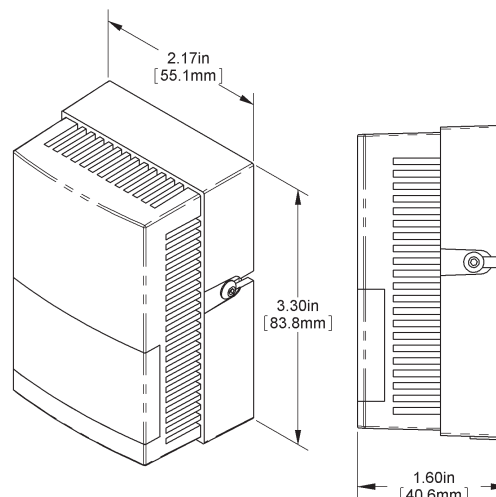
Material: ABS Plastic

Material Rating: UL 94, HB

Environmental Operation Range:

Temperature: 32 to 122 °F (0 to 50 °C)

Humidity: 0 to 95%, non-condensing





Powers Style Room Units

A35

Temperature Sensors

Rev. 10/16/12

Ordering Grids without List Prices are available on our website at www.bapihvac.com

Ordering Information Powers Style Room Unit - Temperature				List Price	Your Order															
BA/	Sensor Type (Required) Use the designator number (shown to the left in bold) to indicate the sensor																			
##	<p>1.8K 1.8K Ω @ 25 °C 2.2K 2.2K Ω @ 25 °C 3K 3K Ω @ 25 °C 3.25K 3.25K Ω @ 25 °C (T30 type) 3.3K 3.3K Ω @ 25 °C 10K-2 10K Ω @ 25 °C 10K-3 10K Ω @ 25 °C 10K-3[11K] 5,238 Ω @ 25 °C 20K 20K Ω @ 25 °C 47K 47K Ω @ 25 °C 50K 50K Ω @ 25 °C 100K 100K Ω @ 25 °C</p> <p>T1K[range] 1K Platinum RTD, 1,000 Ω @ 0 °C with 4 to 20 mA Output T1KM[range] 1K Platinum RTD, 1,000 Ω @ 0 °C with MATCHED* 4 to 20 mA Output</p> <p>TEMPERATURE TRANSMITTER RANGES Custom temperature transmitter ranges are available. Common ranges are listed below</p> <table border="0"> <tr> <td>65 TO 80F</td> <td>18 TO 27C</td> <td>40 TO 90F</td> <td>4 TO 32C</td> </tr> <tr> <td>60 TO 80F</td> <td>15 TO 27C</td> <td>45 TO 96F</td> <td>7 TO 35C</td> </tr> <tr> <td>55 TO 85F</td> <td>13 TO 30C</td> <td>0 TO 100F</td> <td>-18 TO 38C</td> </tr> <tr> <td>50 TO 90F</td> <td>10 TO 32C</td> <td></td> <td></td> </tr> </table>	65 TO 80F	18 TO 27C	40 TO 90F	4 TO 32C	60 TO 80F	15 TO 27C	45 TO 96F	7 TO 35C	55 TO 85F	13 TO 30C	0 TO 100F	-18 TO 38C	50 TO 90F	10 TO 32C			<p>RTDs 100 100 Ω Platinum @ 0 °C, .385 Ω/°C temp. coeff. 100[3W] 3 Wire 100 Ω Plat. @ 0 °C, .385 Ω/°C temp. coeff. 1K[375] 1K Ω Platinum @ 0 °C, 3.75 Ω/°C temp. coeff. 1K[Ni] 1K Ω Nickel @ 21 °C, 5 Ω/°C temp. coeff. 1K 1K Ω Platinum @ 0 °C, 3.85 Ω/°C temp. coeff. 2K 2K Ω Silicon @ 20 °C, 8 Ω/°C temp. coeff.</p> <p>SEMICONDUCTORS 334 LM334 Semiconductor 592 AD592 Semiconductor, 273 μA @ 0 °C 592-10K AD592 Semicond. with 10 kΩ shunt resistor, 2.73 V @ 0 °C</p>	<p>Thermistors \$18 Each</p> <p>RTD's \$25 Each or \$35 for 1K[Ni]</p> <p>Semi-conductors \$25 Each</p> <p>Temperature Transmitters \$100 for T1K \$280 for & T1KM</p>	<p>\$ _____</p> <p>\$ _____</p> <p>\$ _____</p> <p>\$ _____</p> <p>\$ _____</p> <p>\$ _____</p>
65 TO 80F	18 TO 27C	40 TO 90F	4 TO 32C																	
60 TO 80F	15 TO 27C	45 TO 96F	7 TO 35C																	
55 TO 85F	13 TO 30C	0 TO 100F	-18 TO 38C																	
50 TO 90F	10 TO 32C																			
	Enclosure (Required)																			
	-RSS	Powers Style Room Enclosure		\$55	\$ _____															
		Optional Indicator																		
	-BM775	Bi-Metal Indicator: Brown 50 to 80 °F legend on a tan background		\$18	\$ _____															
EXAMPLE																				
BA/	10K-2	-RSS	-BM775																	
Example Part Number: BA/10K-2-RSS-BM775				Total =	\$ _____															
Your Part Number:																				

Call BAPI if you have questions about the above ordering grid or the configuration of the product you are ordering.

