



Features & Options

- Optional Setpoint, Display, Override and Fan Speed
- °C or °F Operation (user selectable)
- Onboard Neuron® 3120® Chip
- Standard 4-Wire Termination
- Two Year Warranty

BAPI's Echelon® compatible “L-Temp” Unit features measurement and display of local temperature (°C or °F), as well as display of outdoor temperature and outdoor humidity – all in one package.

An onboard Neuron® chip allows connection directly to a LONWORKS® network using star, bus, or loop topology. Additional options include Temperature Setpoint, Local Override and Fan Speed Control for Fan Coils, Heat Pumps, Unit Ventilators or other Terminal Units. The Fan Speed is provided as a Network Variable and includes LCD Indicators.



L-Temp Unit with Setpoint & Override

Combination Temp./Humidity Unit

BAPI also offers an Echelon® compatible Temperature/Humidity Combination Room Unit called an “L-Combo”. The combo unit includes all the features of the “L-Temp” except the Fan Speed adjustment and has a user adjustable toggle rate between temperature and humidity,. For more info on the “L-Combo”, see the Humidity section.

The “L-Temp” and “L-Combo” were designed following the LonMark® Interoperability Guidelines, and incorporates standard configuration property types (SCPT). A complete SNVT/SCPT list with definitions is available upon request. Echelon®, LONWORKS®, Neuron®, and 3120® are trademarks of Echelon Corporation registered in the United States and other countries. LonMark® is a trademark of the LonMark Interoperability Association registered in the United States and other countries.

Specifications

Power: 8 to 24VDC (recommended) or 12 to 28VAC

Power Consumption: 35 mA maximum DC

Sensing Elements:

Temp. - Semiconductor Band Gap, Proportional to Absolute Temperature, $\pm 0.3^{\circ}\text{C}$

Optional Humidity - Capacitive Polymer, $\pm 2\%$ RH Accuracy

Wiring: 4 wire, twisted pair 22 AWG minimum

Communication:

Neuron® 3120®, 78 kbps using FTT-10A transceiver

Mounting:

Standard 2x4” J-box or drywall - screws provided

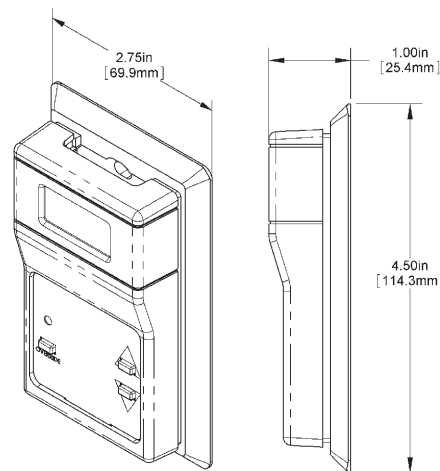
Environmental Specifications:

Temperature: 32 to 122 °F (0 to 50 °C)

Humidity: 0 to 95%, non-condensing

Material & Rating: ABS Plastic, UL94 HB

Range: -40 to 85°C



*BAPI recommends that you do not run wiring for the Room Units in the same conduit as line voltage wiring or with wiring used to supply highly inductive loads such as motors, generators and coils. For additional wiring info and requirements, refer to Echelon's Bulletin titled “Junction Box and Wiring Guidelines for Twisted Pair LONWORKS® Networks” which can be found at the following URL: “www.echelon.com/support/documentation/Bulletin/005-0023-01K.pdf”





Rev. 08/27/13

Echelon® Compatible "L-Temp"

Temperature Sensors

A29



Ordering Information "L-Temp" & "L-Combo" Room Units				
BA/LC				
	Humidity Accuracy	Skip this number if ordering a temperature only unit		
	H2	±2% RH Accuracy		
		Enclosure	Required selection	
		-R	Delta Style Room Enclosure	
			Options	Select in order as required
			S	Temperature Setpoint (Display is required if Setpoint is selected)
			O	Override
			D	Display
			XLD*	Fan Speed Adjustment and Temperature Setpoint Adjustment. Note: SOD options are not needed if XLD is selected.
				Optional Copla White Enclosure (Warm White is Standard)
			-CPW	Copla White Enclosure Color
EXAMPLE				
BA/LC		-R	SOD	
Example Part Number: BA/LC-RSOD - "L-Temp" Unit with setpoint, override and display				
BA/LC	H2	-R	SOD	
Example Part Number: BA/LCH2-RSOD - "L-Combo" Unit with ±2% RH, setpoint, override & display				
Your Part Number:				

Call BAPI if you have questions about the above ordering/pricing grid.

*XLD option is not available with Humidity

*XLD option includes Setpoint, Override & Display

