



## Features & Options

- Optional Setpoint, Display, Override and Fan Speed
- °C or °F Operation (user selectable)
- Onboard Neuron® 3120® Chip
- Standard 4-Wire Termination
- Two Year Warranty

BAPI's Echelon® compatible “L-Temp” Unit features measurement and display of local temperature (°C or °F), as well as display of outdoor temperature and outdoor humidity – all in one package.

An onboard Neuron® chip allows connection directly to a LONWORKS® network using star, bus, or loop topology. Additional options include Temperature Setpoint, Local Override and Fan Speed Control for Fan Coils, Heat Pumps, Unit Ventilators or other Terminal Units. The Fan Speed is provided as a Network Variable and includes LCD Indicators.



**L-Temp Unit with Setpoint & Override**

## Combination Temp./Humidity Unit

BAPI also offers an Echelon® compatible Temperature/Humidity Combination Room Unit called an “L-Combo”. The combo unit includes all the features of the “L-Temp” except the Fan Speed adjustment and has a user adjustable toggle rate between temperature and humidity,. For more info on the “L-Combo”, see the Humidity section.

The “L-Temp” and “L-Combo” were designed following the LonMark® Interoperability Guidelines, and incorporates standard configuration property types (SCPT). A complete SNVT/SCPT list with definitions is available upon request. Echelon®, LONWORKS®, Neuron®, and 3120® are trademarks of Echelon Corporation registered in the United States and other countries. LonMark® is a trademark of the LonMark Interoperability Association registered in the United States and other countries.

## Specifications

**Power:** 8 to 24VDC (recommended) or 12 to 28VAC

**Power Consumption:** 35 mA maximum DC

### Sensing Elements:

Temp. - Semiconductor Band Gap, Proportional to Absolute Temperature,  $\pm 0.3^{\circ}\text{C}$

Optional Humidity - Capacitive Polymer,  $\pm 2\%$  RH Accuracy

**Wiring:** 4 wire, twisted pair 22 AWG minimum

### Communication:

Neuron® 3120®, 78 kbps using FTT-10A transceiver

### Mounting:

Standard 2x4” J-box or drywall - screws provided

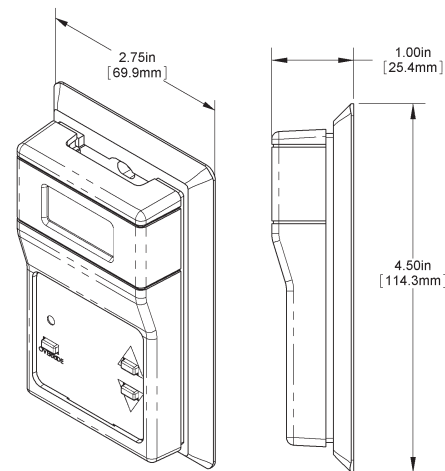
### Environmental Specifications:

Temperature: 32 to 122 °F (0 to 50 °C)

Humidity: 0 to 95%, non-condensing

**Material & Rating:** ABS Plastic, UL94 HB

**Range:** -40 to 85°C



\*BAPI recommends that you do not run wiring for the Room Units in the same conduit as line voltage wiring or with wiring used to supply highly inductive loads such as motors, generators and coils. For additional wiring info and requirements, refer to Echelon's Bulletin titled "Junction Box and Wiring Guidelines for Twisted Pair LONWORKS® Networks" which can be found at the following URL: "[www.echelon.com/support/documentation/Bulletin/005-0023-01K.pdf](http://www.echelon.com/support/documentation/Bulletin/005-0023-01K.pdf)"





# Echelon® Compatible "L-Temp"

# A29

## Temperature Sensors

Rev. 08/27/13

Ordering Grids without List Prices are available on our website at [www.bapivac.com](http://www.bapivac.com)

| Ordering Information "L-Temp" & "L-Combo" Room Units   |  |   |  | List Price     | Your Order      |
|--|--|---|--|----------------|-----------------|
| BA/LC  |  |   |  | \$240          | \$ _____        |
|  | Humidity Accuracy Skip this number if ordering a temperature only unit |   |  |                |                 |
|  | H2   | ±2% RH Accuracy   |  | \$80           | \$ _____        |
|  |  | Enclosure Required selection                            |  |                |                 |
|  |  | -R  | Delta Style Room Enclosure   |                |                 |
|  |  | Options Select in order as required                     |  |                |                 |
|  |  | S   | Temperature Setpoint (Display is required if Setpoint is selected)   | \$6            | \$ _____        |
|  |  | O   | Override   | \$5            | \$ _____        |
|  |  | D   | Display  | \$35           | \$ _____        |
|  |  | XLD*  | Fan Speed Adjustment and Temperature Setpoint Adjustment. Note: SOD options are not needed if XLD is selected. | \$46           | \$ _____        |
|  |  | Optional Copla White Enclosure (Warm White is Standard) |  |                |                 |
|  |  | -CPW  | Copla White Enclosure Color  |                |                 |
| EXAMPLE  |  |   |  |                |                 |
| BA/LC  |  | -R  | SOD  |                |                 |
| Example Part Number: BA/LC-RSOD - "L-Temp" Unit with setpoint, override and display          |  |   |  |                |                 |
| BA/LC  | H2   | -R  | SOD  |                |                 |
| Example Part Number: BA/LCH2-RSOD - "L-Combo" Unit with ±2% RH, setpoint, override & display |  |   |  |                |                 |
| Your Part Number:  |  |   |  |                |                 |
|  |  |   |  | <b>Total =</b> | <b>\$ _____</b> |

Call BAPI if you have questions about the above ordering/pricing grid.

\*XLD option is not available with Humidity

\*XLD option includes Setpoint, Override & Display

