



Features & Options

- Low Profile Delta Style Enclosure with Optional Display
- Humidity Only or Temp./Humidity Combo
- 2% and 3% RH Accuracies
- Optional Communications Jack
- User Adjustable Toggle Rate Between Temp & Humidity Display
- Wide Selection of Temperature Sensing Elements
- Full-range Temperature Compensation of RH Signal
- Two Year Warranty



Delta Style Enclosures
with and without Display

The Delta Style room units are available as Humidity Only sensors or as Combination temperature and humidity sensors. They feature an optional display with a user adjustable toggle rate between humidity and temperature and can display in either °C or °F.

The unit is available with the entire line of BAPI temperature sensors. If a temperature transmitter and humidity transmitter are desired, then see the "X-Combo" Unit on pages B6-7 of this section.

For detailed specs on the individual Sensors & Transmitters, turn to the "Sensors" section.

BAPI-Guard

- Prevents Tampering
- Exceptional Airflow
- Two Sizes

(See Accessories)



Specifications

Power: 10 to 35 VDC (0 to 5 VDC or 4 to 20 mA Outputs)
15 to 40 VDC (0 to 10 VDC Output)
12 to 24 VAC (0 to 5 VDC Output)
15 to 28 VAC (0 to 10 VDC Output)

Note: If AC power is used,
it must be shielded from the signal wiring

Power Consumption:

22 mA max. DC (0 to 5 VDC or 4 to 20 mA Outputs)
6 mA max DC (0 to 10 VDC Output)
0.53 VA max. AC (0 to 5 VDC Output)
0.14 VA max. AC (0 to 10 VDC Output)

Sensing Elements:

Temperature - Thermistor, RTD or Semiconductor
Humidity - Capacitive Type, ±2% or ±3% RH,
20 to 80% @ 25°C

%RH Calb. Adjustment: ±5% POT

Wiring: 2 to 3 pair of 16 to 22 AWG**

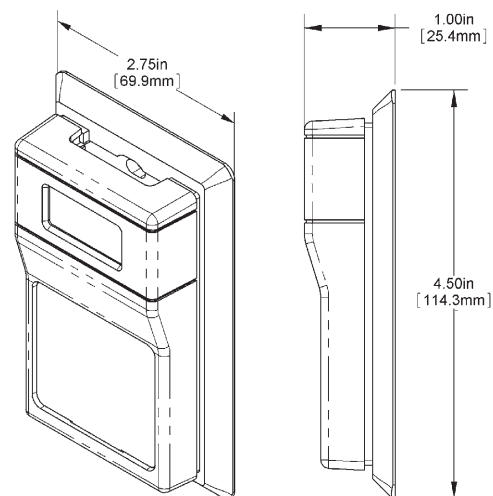
Mounting: 2"x4" J-box or drywall mount - screws provided

Environmental Operation Range:

Temp: 32 to 122 °F (0 to 50 °C)
Humidity: 5 to 95%, non-condensing

Material & Rating: ABS Plastic, UL94 HB

Agency: RoHS and CE*



*Units with passive Thermistors 20KΩ and smaller, or no temperature sensor, are CE compliant.

**BAPI recommends that you do not run wiring for the room units in the same conduit as line voltage wiring or with wiring used to supply highly inductive loads such as motors, generators and coils.



