



Features & Options

- Low Profile Delta Style Enclosure with Optional Display
- Humidity Only or Temp./Humidity Combo
- 2% and 3% RH Accuracies
- Optional Communications Jack
- User Adjustable Toggle Rate Between Temp & Humidity Display
- Wide Selection of Temperature Sensing Elements
- Full-range Temperature Compensation of RH Signal
- Two Year Warranty



Delta Style Enclosures
with and without Display

The Delta Style room units are available as Humidity Only sensors or as Combination temperature and humidity sensors. They feature an optional display with a user adjustable toggle rate between humidity and temperature and can display in either °C or °F.

The unit is available with the entire line of BAPI temperature sensors. If a temperature transmitter and humidity transmitter are desired, then see the "X-Combo" Unit on pages B6-7 of this section.

For detailed specs on the individual Sensors & Transmitters, turn to the "Sensors" section.

BAPI-Guard

- Prevents Tampering
- Exceptional Airflow
- Two Sizes

(See Accessories)



Specifications

Power: 10 to 35 VDC (0 to 5 VDC or 4 to 20 mA Outputs)
15 to 40 VDC (0 to 10 VDC Output)
12 to 24 VAC (0 to 5 VDC Output)
15 to 28 VAC (0 to 10 VDC Output)

Note: If AC power is used,
it must be shielded from the signal wiring

Power Consumption:

22 mA max. DC (0 to 5 VDC or 4 to 20 mA Outputs)
6 mA max DC (0 to 10 VDC Output)
0.53 VA max. AC (0 to 5 VDC Output)
0.14 VA max. AC (0 to 10 VDC Output)

Sensing Elements:

Temperature - Thermistor, RTD or Semiconductor
Humidity - Capacitive Type, ±2% or ±3% RH,
10 to 90% @ 25°C

%RH Calb. Adjustment: ±5% POT

Wiring: 2 to 3 pair of 16 to 22 AWG**

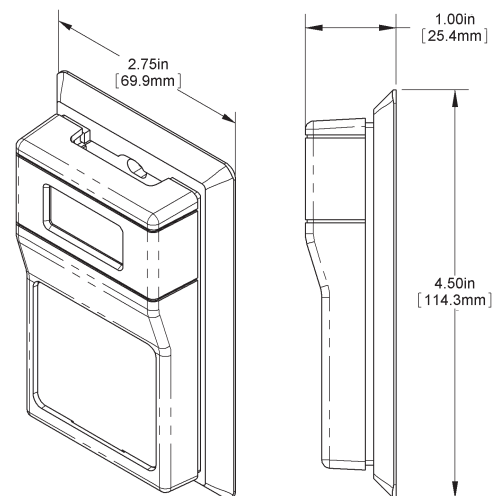
Mounting: 2"x4" J-box or drywall mount - screws provided

Environmental Operation Range:

Temp: 32 to 122 °F (0 to 50 °C)
Humidity: 5 to 95%, non-condensing

Material & Rating: ABS Plastic, UL94 HB

Agency: RoHS and CE*



*Units with passive Thermistors 20KΩ and smaller, or no temperature sensor, are CE compliant.

**BAPI recommends that you do not run wiring for the room units in the same conduit as line voltage wiring or with wiring used to supply highly inductive loads such as motors, generators and coils.





Rev. 10/25/16

Delta Style Room Units

Humidity or Combination Temp/Humidity Sensors

B9

Ordering Grids without List Prices are available on our website at www.bapihvac.com

Ordering Information		Delta Style Room Unit, Humidity only or Temp./Humidity Combo		List Price	Your Order	
BA/	Optional Temp. Sensor Use the designator number, shown to the left in bold. Omit if ordering humidity only					
##-	<p>1.8K 1.8K Ω @ 25 °C</p> <p>2.2K 2.2K Ω @ 25 °C</p> <p>3K 3K Ω @ 25 °C</p> <p>3.25K 3.25K Ω @ 25 °C (T30 type)</p> <p>3.3K 3.3K Ω @ 25 °C</p> <p>10K-2 10K Ω @ 25 °C</p> <p>10K-3 10K Ω @ 25 °C</p> <p>10K-3[11K] 5,238 Ω @ 25 °C</p> <p>20K 20K Ω @ 25 °C</p> <p>47K 47K Ω @ 25 °C</p> <p>50K 50K Ω @ 25 °C</p> <p>100K 100K Ω @ 25 °C</p>	<p>THERMISTORS</p> <p>1K [375] 1K Ω Platinum @ 0 °C, 3.75 Ω/°C temp. coeff.</p> <p>1K[NI] 1K Ω Nickel @ 21°C, 5 Ω/°C temp. coeff.</p> <p>1K 1K Ω Platinum @ 0 °C, 3.85 Ω/°C temp. coeff.</p> <p>2K 2K Ω Silicon @ 20 °C, 8 Ω/°C temp. coeff.</p>	<p>RTDs</p> <p>334 LM334 Semiconductor</p> <p>592 AD592 Semiconductor, 273 μA @ 0 °C</p>	<p>Thermistors</p> <p>\$18 Each</p>	\$ _____	
				<p>RTD's</p> <p>\$25 Each or \$35 for 1K[NI]</p>	\$ _____	
				<p>Semi-conductors</p> <p>\$25 Each</p>	\$ _____	
	<p>TEMPERATURE TRANSMITTERS</p> <p>See X-Combo Unit on pages B6-7</p>					
	<p>Humidity Transmitter Must select one</p>					
	H200	±2% Humidity Transmitter with Interchangeable Output of 0 to 5 V or 4 to 20 mA*		\$240	\$ _____	
	H210	±2% Humidity Transmitter with 0 to 10 V Output		\$240	\$ _____	
	H300	±3% Humidity Transmitter with Interchangeable Output of 0 to 5 V or 4 to 20 mA*		\$240	\$ _____	
	H310	±3% Humidity Transmitter with 0 to 10 V Output		\$240	\$ _____	
	<p>Delta Style Enclosure Must select</p>					
	-R	Delta Style Room Enclosure				
	<p>Optional LCD Display Omit if ordering a unit without display</p>					
	D	LCD Display			\$35	\$ _____
	<p>Optional Test & Balance Skip if not required</p>					
	-TB	Three Position Switch - "Low" & "High" values vary, "Normal" is live sensor value. Call for details.			\$7.50	\$ _____
	<p>Optional Comm. Jack Mounted in unit's base</p>					
	-C35L	3.5 mm Phono Jack w/ Leads Attached			\$10	\$ _____
	-C35LT	3.5 mm Phono Jack w/ Leads & Terminal Block			\$10	\$ _____
	<p>Optional Copla White Enclosure (Warm White is Standard)</p>					
	-CPW	Copla White Enclosure Color				
EXAMPLE						
BA/	10K-2	H200	-R	D	-C35L	
Example Part Number: BA/10K-2-H200-RD-35L						
Your Part Number:						
					Total =	\$ _____

*DC input voltage is required for current output.

See the "X-Combo" Unit on page B12-13 for more Temperature Transmitter & Humidity Transmitter combination options.

Call BAPI if you have questions about the above ordering grid or the configuration of the product you are ordering.

