



Rev. 01/10/14



Features & Options

- Low Profile Delta Enclosure
- Optional Setpoint, Override or Bi-Metal Indicator
- Optional Comm. Jack and Test & Balance Switch
- Wide Selection of Temperature Sensing Elements
- Limited Lifetime Warranty

Setpoint & Legend

The optional Setpoint is a linear slidepot adjustment that comes in various ranges, and is available as Reverse or Direct Acting. An optional Setpoint Legend can be imprinted on the base of the enclosure. Common Legends include "Cool/Warm", "65 to 80"(°F), "55 to 85"(°F), and "5 to 30"(°C). (See ordering grid on opposite page for all Legend options.)

Override

The optional Override is a discreet momentary signal that can be configured to be compatible with any controller.

Communication Jack

Available with RJ11 (4 pin), RJ12 (6 pin), RJ45 (8 pin), RJ22 (4 pin) or a 3.5 mm phono plug style jack.

Bi-Metal Indicator

An optional Bi-Metal Indicator shows room temperature; accurate to ± 1 °F. The display is protected by an acrylic plate and comes with a 50 to 90 °F or 10 to 30 °C legend.

Test and Balance Switch

A three-position slider can be provided on the back of the unit to change the sensor output as follows—the "Low" setting is "Full Cool", "Normal" is the live sensor value, and "High" is "Full Heat".

For detailed specs on the individual Sensors & Transmitters, turn to the Sensors Section

* All Passive Thermistors 20K Ω and smaller are CE compliant.

Specifications

Environmental Operation Range:

Temperature: 32 to 122 °F (0 to 50 °C)
Humidity: 0 to 95%, non-condensing

Material:

ABS Plastic

Material Rating:

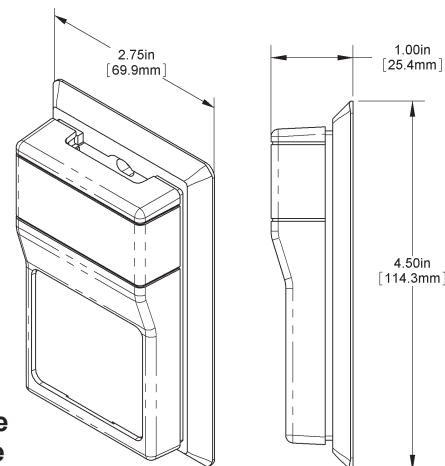
UL94 HB



Delta Style Units with and without Setpoint, Override and Indicator

The **BAPI-Guard** Thermostat Protector

- Prevents Tampering and Unauthorized Adjustment
 - Exceptional Airflow for Proper Thermostat Operation
 - Available in Two Sizes
- (See Accessories for more info.)



Delta Style Enclosure





Delta Style Room Units

A19

Temperature Sensors

Rev. 01/10/14

Ordering Grids without List Prices are available on our website at www.bapihvac.com

Ordering Information		Delta Style Room Units - Temperature				List Price	Your Order			
BA/										
Sensor Type <i>Must select one</i>		Use the designator number (shown to the left in bold) to indicate the sensor								
#	THERMISTORS		RTDs		Thermistors					
	1.8K	1.8K Ω @ 25 °C	100	100 Ω Platinum @ 0 °C, .385 Ω/°C temp. coeff.	\$18 Each	\$ _____				
	3K	3K Ω @ 25 °C	100[3W]	3 Wire 100 Ω Platinum @ 0 °C, .385 Ω/°C temp. coeff.*	RTD's					
	3.25K	3.25K Ω @ 25 °C (T30 type)	1K[375]	1K Ω Platinum @ 0 °C, 3.75 Ω/°C temp. coeff.	\$25 Each					
	3.3K	3.3K Ω @ 25 °C	1K[N1]	1K Ω Nickel @ 21°C, 5 Ω/°C temp. coeff.	or					
	10K-2	10K Ω @ 25 °C	1K	1K Ω Platinum @ 0 °C, 3.85 Ω/°C temp. coeff.	\$35 for 1K[N1]	\$ _____				
	10K-3	10K Ω @ 25 °C	2K	2K Ω Silicon @ 20 °C, 8 Ω/°C temp. coeff.	Semi-conductors					
	10K-3[11K]	5,238 Ω @ 25 °C	SEMICONDUCTORS		\$25 Each	\$ _____				
	20K	20K Ω @ 25 °C	334	LM334 Semiconductor						
	50K	50K Ω @ 25 °C	592	AD592 Semiconductor, 273 μA @ 0 °C						
100K	100K Ω @ 25 °C	592-10K	AD592 Semicond. w/ 10 kΩ shunt resistor, 2.73 V @ 0 °C							
Enclosure Style <i>Required selection</i>		Delta Style Room Enclosure								
Optional Setpoint <i>If setpoint is required, must select Range and Legend</i>										
		SETPOINT OUTPUT VALUE RANGE (insert Designator #)				\$6 for Setpoint	\$ _____			
	Desired Range	Designator	Desired Range	Designator						
	800 to 1200 Ω	25	15 to 5 kΩ	61						
	909 to 1309 Ω	26	0 to 20 kΩ	80						
	1800 to 2200 Ω	27	4.75 to 24.75 kΩ	81						
	0 to 1 kΩ	40	6.19 to 26.19 kΩ	82						
	500 to 1500 Ω	41	7.87 to 27.87 kΩ	83						
	2 to 3 kΩ	42	10 to 30 kΩ	84						
	0 to 10 kΩ	60	<i>See App. Notes pg. 12 for other Setpoint Ranges</i>							
		SETPOINT LEGEND (insert Designator #)								
	Legend Range	Designator	Legend Range	Designator						
	5-30 C	L1	68-70-72	L5						
	55-85 F	L2	COOL/WARM	L6						
	60-85 F	L3	WARM/COOL	L7						
	65-80 F	L4	No Legend	L0						
Override Configuration <i>Must select one</i>										
	-J	Override as a Separate Input (Not available with transmitter)								
	-N	Override in Parallel (//) with Sensor				\$5 for any Override	\$ _____			
	-P	Override in Parallel (//) with Setpoint (Only available with Resistive Setpoint)								
	-Z	No Override								
Optional Communication Jack <i>Skip if not required</i>										
	-C35	3.5 mm Phono Style Jack				\$7	\$ _____			
	-C11**	RJ11 (4 pin) Style Jack (Not available with Bi-Metal Indicator)				\$7	\$ _____			
	-C12**	RJ12 (6 pin) Style Jack (Not available with Bi-Metal Indicator)				\$7	\$ _____			
	-C22**	RJ22 (4 pin) Style Jack (Not available with Bi-Metal Indicator)				\$12	\$ _____			
Optional Indicator <i>Skip if not required</i>										
	-BM5090	Bi-Metal Indicator: 50 to 90 °F legend				\$60 for any Indicator	\$ _____			
	-BM1030	Bi-Metal Indicator: 10 to 30 °C legend								
Optional Test & Balance <i>Skip if not required</i>										
	-TB	Three Position Switch - "Low" & "High" values vary, "Normal" is live sensor value. Call for details.				\$7.50	\$ _____			
Connection Configuration <i>Must select one</i>										
	-CG	Common Ground (Required with Voltage Setpoint Units)								
	-DF	Differential Inputs								
Optional Copla White Enclosure <i>(Warm White is Standard)</i>										
	-CPW	Copla White Enclosure Color								
EXAMPLE										
BA/	10K-2	-R	25L1	-J	-C35	-BM5090				
Example Part Number: BA/10K-2-R25L1-J-C35-BM5090-CG							Total =	\$ _____		
Your Part Number:										

* The 100[3W] sensor is not available with Setpoint, Override, Communication jack or Test & Balance switch options.

**Not available with Voltage Setpoint.

Call BAPI if you have questions about the above ordering/pricing grid or the configuration of the product you are ordering.



Building Automation Products, Inc. • 750 North Royal Avenue, Gays Mills, WI 54631 USA

Tel: +1-608-735-4800 • Fax: +1-608-735-4804 • Email: sales@bapihvac.com • Web: www.bapihvac.com