



Features & Options

- LCD Readout of Local Temperature
- Setpoint Adjustment (optional)
- Decora Style Enclosure
- °F or °C Indication (field selectable via setpoint pushbuttons)
- Wide Selection of Temperature Sensing Elements

The low profile Decora Style Room Unit fits inside a Decora Style Wall Plate. It features measurement and display of local temperature with optional pushbutton setpoint adjustment. The room temperature is shown on an easy-to-read LCD display in either °F or °C (field selectable via front pushbuttons for setpoint models).

The Setpoint values are transmitted as resistive values for easy configuration with the controller. The sensor and setpoint outputs can be configured for “common ground” or “differential” controller inputs.

For detailed specs on the individual Sensors & Transmitters, turn to the Sensors section.

VC350A “EZ” - Voltage Converter

BAPI recommends using DC power on room units for a more stable reading. Our 350mA “EZ” unit is a perfect way to convert 24 VAC to 5, 12, 15 or 24 VDC.



Decora Style Unit with Setpoint Adjustment



Decora Style Unit without Setpoint Adjustment

Specifications

Power: 5 VDC to 12 VDC $\pm 5\%$

Power Consumption: 0.5 mA

Sensing Element: Thermistor, RTD or Semiconductor

Wiring: 2 to 3 pair of 16 to 22AWG*

Mounting: Standard 2"x4" J-box with Decora Style Trim Plate

Environmental Operation Range:

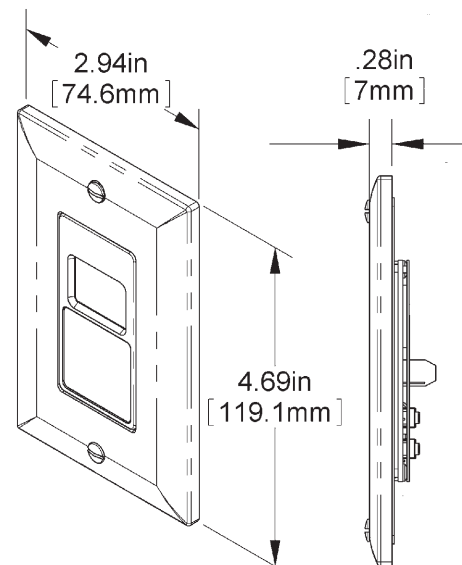
Temperature: 32 to 122 °F (0 to 50 °C)

Humidity: 0 to 95%, non-condensing

Material: ABS Plastic

Material Rating: UL94, V-0

*BAPI recommends that you do not run wiring for the Room Units in the same conduit as line voltage wiring or with wiring used to supply highly inductive loads such as motors, generators and coils.





Rev. 09/02/15

Decora Style Room Unit

A17

Temperature Sensors

Ordering Information		RuPD Room Unit - Temperature			
BA/RuPD	Decora Style Room Sensor with Pushbutton Setpoint Adjustment and LCD Readout				
Display Mode		<i>Pick F (°F) or C (°C) indication</i>			
F	Temperatures Displayed in °F				
C	Temperatures Displayed in °C				
Setpoint Configuration		<i>Skip if setpoint is not required</i>			
#	SETPOINT DISPLAY OPTIONS (Required if there is a setpoint) See pg I3 for more options.				
	<u>Desired Range</u>	<u>Designator</u>	<u>Desired Range</u>	<u>Designator</u>	
	-2 to +2	P	55 to 85 °F or 13 to 30 °C	D	
	-3 to +3	A	60 to 80 °F or 15 to 27 °C	E	
	-5 to +5	B	65 to 80 °F or 18 to 27 °C	F	
	50 to 90 °F or 10 to 32 °C	C	70 to 74 °F or 21 to 23 °C	L	
##	SETPOINT OUTPUT VALUE RANGE (Required if there is a setpoint) See pg I2 for more options.				
	<u>Desired Range</u>	<u>Designator</u>	<u>Desired Range</u>	<u>Designator</u>	
	0 to 10 kΩ	60	6.19 k to 26.19 kΩ	82	
	15 k to 5 kΩ	61	7.87 k to 27.87 kΩ	83	
	0 to 20 kΩ	80	10 k to 30 kΩ	84	
	0 to 100 kΩ	90	0 to 5 Volts*	00*	
	4.75 k to 24.75 kΩ	81	0 to 10 Volts**	10**	
Direct Out Sensor		Must select one			
-1375	1K Platinum RTD, 1,000 Ω @ 0 °C, 3.75 Ω/°C temp. coeff.				
-1	1K Platinum RTD, 1,000 Ω @ 0 °C, 3.85 Ω/°C temp. coeff.				
-2	2K Silicon RTD, 2,000 Ω @ 20 °C, 8 Ω/°C temp. coeff.				
-18	1.8K Thermistor, 1,800 Ω @ 25 °C				
-3	3K Thermistor, 3,000 Ω @ 25 °C				
-33	3.3K Thermistor, 3,300 Ω @ 25 °C				
-102	10K-2 Thermistor, 10,000 Ω @ 25 °C				
-103	10K-3 Thermistor, 10,000 Ω @ 25 °C				
-20	20K Thermistor, 20,000 Ω @ 25 °C				
-47	47K Thermistor, 47,000 Ω @ 25 °C				
-50	50K Thermistor, 50,000 Ω @ 25 °C				
-100	100K Thermistor, 100,000 Ω @ 25 °C				
-592	AD592 Semiconductor, 273 μA @ 0 °C				
-ES	External Sensor for Display Only. Order 10K-2 Thermistor sensor separately				
Optional Setpoint Display Only (Room Temperature is not shown on the display)					
-SDO	Setpoint Display Only (This option is field changeable)				
Connection Configuration		Select one, default is common ground			
-CG	Common Ground (Required with Voltage Setpoint)				
-DF	Differential Inputs (Only with Resistive Setpoint)				
Wall Plate Cover Options					
-NC	No Wall Plate Cover				
-SWC	Standard White Wall Plate Cover				
EXAMPLE					
BA/RuPD	C	-D80	-102	-CG	-SWC
Example Part Number: BA/RuPDC-D80-102-CG-SWC					
Your Part Number:					

All models can be field calibrated so the displayed ambient temperature value matches a reference device ($\pm 10^\circ$, 1° steps), call for details.

*Unit must be powered by at least 7 VDC to have the 0 to 5 Volt Setpoint Output Range Option

**Unit must be powered by 12 VDC to have the 0 to 10 Volt Setpoint Output Range Option

Call BAPI if you have questions about the above ordering grid or the configuration of the product you are ordering.

