



### Features & Options

- Long Life Electrochemical Sensor
- High Accuracy at Low Concentrations
- Optional LCD Display
- Rugged Housing with Mounting Tabs for Easy Installation
- Requires Factory Calibration Every Six Months

BAPI's Carbon Monoxide Sensor offers enhanced, long life electrochemical sensing with outstanding accuracy at low concentrations. The sensor has a range of 0 to 100 PPM or 0 to 300 PPM of Carbon Monoxide with a resolution of 1 PPM and a linear output of 4-20 mA. The unit also features a robust enclosure and is available with or without LCD display.



**Carbon Monoxide Sensor with Display**



**Carbon Monoxide Sensor without Display**

Ordering Information: Carbon Monoxide Sensor/Transmitter				
<b>BA/420CO</b>	4 - 20mA output Carbon Monoxide Sensor/Transmitter			
	<b>Carbon Monoxide Concentration</b>			
	-1	0 - 100 ppm Carbon Monoxide		
	-3	0 - 300 ppm Carbon Monoxide		
	<b>LCD Display</b>			
	-ND	No Display		
	-D	LCD Display		
	<b>Case Style</b>			
	-EUO	UV-Resistant Plastic		
	<b>Mounting Kits (Optional)</b>			
	-FM	3/4" Conduit Adapter only		
	-PM	Panel Mount		
EXAMPLE				
<b>BA/420CO</b>	<b>-1</b>	<b>-D</b>	<b>-EUO</b>	<b>-FM</b>
Example Part Number: BA/420CO-1-D-EUO-FM				
Your Part Number:				

### Specifications

**Range:** 0 to 100 PPM CO (normal range) or 0 to 300 PPM CO (optional)

**Voltage requirement:** 12 to 27 VDC (non-display) or 14 to 27 VDC (with display)

**Signal output:** 4 to 20 mA, 2-wire, loop powered

**Sensor type:** Electrochemical cell

**Enclosure Material:** UV-resistant plastic

**Resolution:** 1 PPM on display,  
Infinite on 4 to 20 mA loop

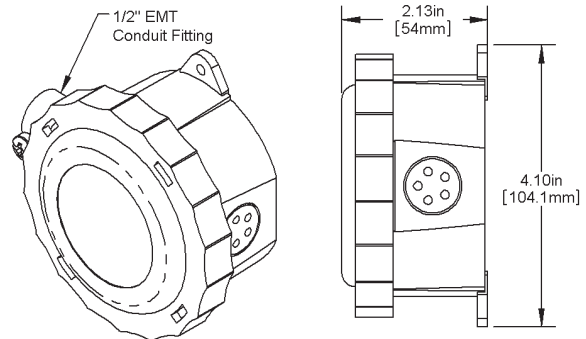
**Accuracy:** ±5 PPM (combination of linearity, temperature, drift and repeatability)

**Response time:**  
90%: Less than 40 seconds @ 25°C

**Environmental Operating Range:**

Temperature: -20°C to 40°C (non-display)  
-10°C to 40°C (with display)

Humidity: 15 to 90% RH (constant)  
0 to 98% RH (intermittent)



**Carbon Monoxide Sensor**

**Sensor life expectancy:** More than four years

**Load Resistance:** 500 Ohms max at 24 VDC

**Note:** Requires factory calibration every 6 months

\* BAPI recommends that you do not run wiring for the CO transmitter in the same conduit as line voltage wiring or with wiring used to supply highly inductive loads such as motors, generators, and coils.

