



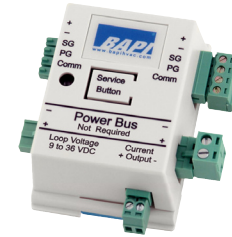
Current Output Module (COM) **B29**

Humidity & Combination Temp/Humidity Sensors

Rev. 12/08/10

Current Output Modules (COM)

The Current Output Module (COM) converts the data from the Washdown Wall Plate into a linear 4-20 mA signal for the DDC controller. Includes the "Current Output" terminal block connector.

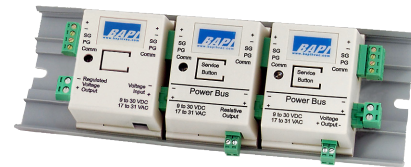


Current Output Module (COM)
(Includes the Current Output terminal block connector only)

Ordering Information		Current Output Module	
BA/COM		Temperature or Humidity Range	
	-C	50 to 90°F or 10 to 32°C Temp. Range	
	-D	55 to 85°F or 13 to 30°C Temp. Range	
	-E	60 to 80°F or 15 to 27°C Temp. Range	
	-F	65 to 80°F or 18 to 27°C Temp. Range	
	-G	45 to 96°F or 7 to 35°C Temp. Range	
	-H	-20 to 120°F or -29 to 49°C Temp. Range	
	-KK	32 to 185°F or 0 to 85°C Temp. Range	
	-MM	-40 to 140°F or -40 to 60°C Temp. Range	
	-M	0 to 100% RH	
	-N	35 to 70% RH	
		Optional °C Temperature Range (*F is Standard) Skip if -M or -N is selected	
	-C	°C Temperature Range	
		Mounting	
	-EZ	EZ Mount	
EXAMPLE			
BA/COM	-C		
Part Number: BA/COM-C			
Your Part Number:			

Call BAPI if you have questions about the above ordering grid.
Custom ranges are available. Call BAPI for more information.

(See Pages 30-31 for Pricing)

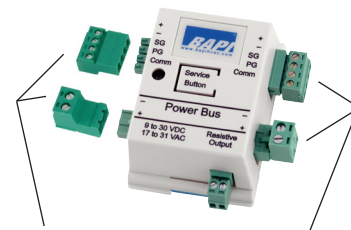


Washdown Power Supply with two Output Modules

Analog Output Module (AOM) Accessories

Analog Output Modules (AOMs), such as the Resistance Output Module, are connected to a Washdown Wall Plate Power Supply (shown on page B26) and receive the temperature or humidity data through a four-wire bus. Up to 30 different AOMs can be connected to a single Power Supply; therefore one Power Supply can power up to 15 different Wall Plates. Each AOM is easily trained to a specific Wall Plate signal with a pushbutton and LED. The modules are surface, 2.75" snaptrack or 35mm din rail mountable.

AOMs plug into each other or a Washdown Wall Plate Power Supply as shown in the top picture at right. However, the AOMs may also be mounted remotely using the optional Pluggable Terminal Block Connectors which are available as a 4-connector kit.



Optional Pluggable Terminal Block Kit for AOMs (4 Connectors)

PART NUMBER:

BA/AOM-CONN - Pluggable Terminal Block Kit for AOMs (includes 4 terminal block connectors)

Specifications for Current Output Module

Supply Power: 9 to 36 VDC, Loop Powered, 20 mA max

Power Consumption: Loop Powered, 20 mA max

Bus Cable Distance:

4,000 ft with shielded, twisted pair cable (Belden 9841, Belden 8132 or equivalent)

Output Resolution: 10 bit

Environmental Operation Range:

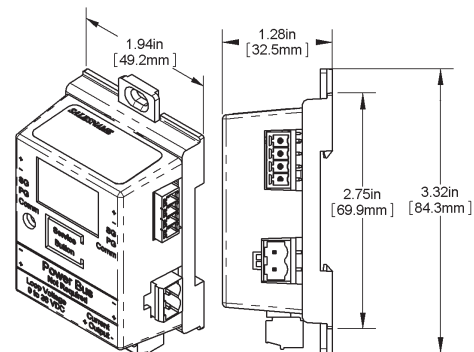
Temp: 0° to 60°C

Humidity: 5% to 95% RH non-condensing

Material: ABS Plastic

Material Rating: UL94, V-0

Output Range: 4-20 mA (factory set)



Current Output Module



Voltage Output Module (VOM)

B31

Humidity & Combination Temp/Humidity Sensors

Rev. 12/08/10

Datasheets without List Prices are available on our website at www.bapihvac.com

Ordering Information Voltage Output Module				List Price	Your Order
BA/VOM				\$150	\$ _____
	Voltage Output				
	-05	0 to 5 Volt Output			
	-10	0 to 10 Volt Output			
	Temperature or Humidity Range				
	-C	50 to 90°F or 10 to 32°C Temp. Range			
	-D	55 to 85°F or 13 to 30°C Temp. Range			
	-E	60 to 80°F or 15 to 27°C Temp. Range			
	-F	65 to 80°F or 18 to 27°C Temp. Range			
	-G	45 to 96°F or 7 to 35°C Temp. Range			
	-H	-20 to 120°F or -29 to 49°C Temp. Range			
	-KK	32 to 185°F or 0 to 85°C Temp. Range			
	-MM	-40 to 140°F or -40 to 60°C Temp. Range			
	-M	0 to 100% RH			
	-N	35 to 70% RH			
	Optional °C Temperature Range (°F is Standard) Skip if -M or -N is selected				
	-C	°C Temperature Range			
	Mounting				
	-EZ	EZ Mount			
EXAMPLE					
BA/VOM	-05	-C			
Part Number: BA/VOM-05-C				Total =	\$ _____
Your Part Number:					

Call BAPI if you have questions about the above ordering grid.
Custom ranges are available. Call BAPI for more information.

Current Output Module (COM)

Ordering Information Current Output Module				List Price	Your Order
BA/COM				\$150	\$ _____
	Temperature or Humidity Range				
	-C	50 to 90°F or 10 to 32°C Temp. Range			
	-D	55 to 85°F or 13 to 30°C Temp. Range			
	-E	60 to 80°F or 15 to 27°C Temp. Range			
	-F	65 to 80°F or 18 to 27°C Temp. Range			
	-G	45 to 96°F or 7 to 35°C Temp. Range			
	-H	-20 to 120°F or -29 to 49°C Temp. Range			
	-KK	32 to 185°F or 0 to 85°C Temp. Range			
	-MM	-40 to 140°F or -40 to 60°C Temp. Range			
	-M	0 to 100% RH			
	-N	35 to 70% RH			
	Optional °C Temperature Range (°F is Standard) Skip if -M or -N is selected				
	-C	°C Temperature Range			
	Mounting				
	-EZ	EZ Mount			
EXAMPLE					
BA/COM	-C				
Part Number: BA/COM-C				Total =	\$ _____
Your Part Number:					

Call BAPI if you have questions about the above ordering grid.
Custom ranges are available. Call BAPI for more information.