



Membrane Pushbuttons for Wipedown Cleaning

Features & Options

- Large Easy-to-Read LCD Display
- Humidity Only or Combination Temp./Humidity
- Membrane Pushbuttons for Wipedown Cleaning
- Temperature and Humidity Setpoints and Override
- Wide Selection of Temperature Sensing Elements
- 2% RH Accuracy
- Two Year Warranty



BAPI-Stat Units with Gray & Off White Keypads (shown with optional humidity setpoint)

The BAPI-Stat is designed for operating rooms, clean rooms and elder care facilities. It features an easy-to-read display and membrane pushbuttons for wipedown cleaning. It is available as a temperature sensor alone or as a combination temperature/humidity sensor. Depending upon the options selected, the BAPI-Stat can display room temperature, room humidity, temperature setpoint, humidity setpoint and override status.

The unit includes a number of field adjustments including °F or °C display, temperature offset (± 5 °F or °C in increments 0.1°), RH offset ($\pm 5\%$ in increments of 0.1%), or setpoint lockout (which disables the setpoint pushbuttons). The display can also be set to show a large temperature and small RH, a large RH and a small temperature, or to alternate between these two settings every five seconds.

This unit can be configured with up to four transmitted variables. Contact your BAPI representative for details.

The **BAPI-Guard**

- Prevents Tampering and Unauthorized Adjustment
- Exceptional Airflow
- Available in Two Sizes

(See Accessories for more info.)



For detailed specs on the individual Sensors & Transmitters, turn to the Sensors section.

Specifications

Power: 10 to 35 VDC (15 to 24 VDC recommended) for 4 to 20 mA or 0 to 5 VDC Outputs
 15 to 35 VDC (15 to 24 VDC recommended) for 0 to 10 VDC Output
 12 to 28 VAC (Requires a separate pair of shielded wires) for 0 to 5 VDC Outputs
 15 VAC to 28 VAC (Requires a separate pair of shielded wires) 0 to 10 VDC Output

Power Consumption:

60 mA max. DC: 4 to 20 mA or 0 to 5 VDC Outputs
 10 mA max. DC: 0 to 10 VDC Output
 1.44 VA max. AC: 0 to 5 VDC Outputs
 0.2 VA max. AC: 0 to 10 VDC Output

RH/Temp Sensor Construction: Communicating Integrated Circuit

Humidity: Capacitive Polymer,
 $\pm 2\%$ RH (10% to 90%) @25°C, Fully Compensated

Temperature: Semi-conductor Band Gap, $\pm 0.3^\circ\text{C}$ @ 25°C

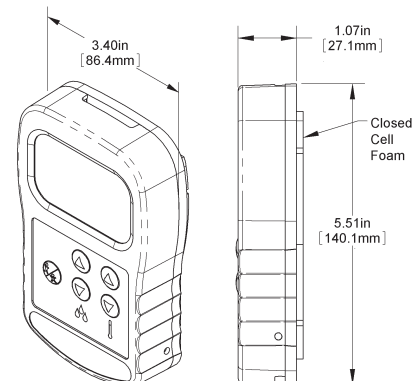
Optional Direct Temp. Sensor: Therm., RTD or Semi-conductor

Mounting: 2" by 4" J-box or drywall mount - screws provided

Environmental Specifications:

Temperature: 32 to 122 °F (0 to 50 °C)

Humidity: 0 to 95%, non-condensing



Wiring: 2 to 4 pair of 16 to 22 AWG*

Material: ABS Plastic - UL 94, V-0

*BAPI recommends that you do not run wiring for Room Units in the same conduit as line voltage wiring or with wiring used to supply highly inductive loads such as motors, generators and coils.





Rev. 10/16/12

BAPI-Stat™ Room Unit Humidity & Combination Temp/Humidity Sensors

B11

Ordering Grids without List Prices are available on our website at www.bapihvac.com

Ordering Information BAPI-Stat Room Unit - Temperature, Humidity or Combination

BA/BS		Temperature Display Mode	
F	Temperatures Displayed in °F		
C	Temperatures Displayed in °C		
Humidity Sensor Accuracy (skip if ordering a temperature only unit)			
2	Accuracy in % for the Relative Humidity Output (i.e. ±2% RH)		
Channel # 1* - T, H, R are placeholders for the range options. (See inset charts)			
-0 T	Temperature Output, 4 - 20 mA		
-1 T	Temperature Output, 0 - 5 V		
-2 T	Setpoint Output, Temperature 4 - 20 mA		
-3 T	Setpoint Output, Temperature 0 - 5 V		
-4 H	Setpoint Output, %RH 4 - 20 mA		
-5 H	Setpoint Output, %RH 0 - 5V		
-6 T	Temperature Output 0 - 10V		
-7 T	Setpoint Output, Temperature 0 - 10V		
-8 H	Setpoint Output, %RH 0 - 10V		
Channel # 2* - T, H, R are placeholders for the range options. (See inset charts)			
-10 H	%RH Output, 4 - 20 mA		
-11 H	%RH Output, 0 - 5 V		
-12 T	Setpoint Output, Temperature 4 - 20 mA		
-13 T	Setpoint Output, Temperature 0 - 5 V		
-14 H	Setpoint Output, %RH 4 - 20 mA		
-15 H	Setpoint Output, %RH 0 - 5 V		
-16 H	%RH Output, 0 - 10 V		
-17 T	Setpoint Output, Temperature 0 - 10 V		
-18 H	Setpoint Output, %RH 0 - 10 V		
Optional Additional Outputs Ch 3 & 4 - T, H, R are placeholders for range options. (See inset charts)			
-20 T R G	Setpoint Output, Temperature Resistive w/ Override (DF is wired to Channel 3 & 4)		
-22 H R G	Setpoint Output, %RH Resistive w/ Override (DF is wired to Channel 3 & 4)		
-24 T R G	Setpoint Output, Temperature Resistive w/o Override (DF is wired to Channel 3 & 4)		
-25 T R G	Setpoint Output, Temperature voltage w/o Override (Common Ground required)		
-26 H R G	Setpoint Output, %RH Resistive w/o Override (DF is wired to Channel 3 & 4)		
-27 H R G	Setpoint Output, %RH Voltage w/o Override (Common Ground required)		
-28 G	Override Only (High Ω -> Low Ω -> High Ω) (DF is wired to Channel 3 & 4)		
-29 G	Override Only [5 V -> 0 V -> 5V] (Common Ground required)		
Optional Override Ch 3 or 4 - dry contact			
-60 G	Dry Contact Override Ch4 (If the unit is DF, use terminals CH3 & CH4)		
-61 G	Dry Contact Override Ch5 [Temp - Temp]		
Optional Sensor Type Ch 5 (if resistive sensor required)			
-0	100 Platinum RTD, 100 Ω @ 0 °C, 0.385 Ω/°C temp. coeff.		
-1375	1K Platinum RTD, 1,000 Ω @ 0 °C, 3.75 Ω/°C temp. coeff.		
-1N1	1K Ω Nickel RTD, 1,000 Ω @ 21°C, 5 Ω/°C temp. coeff.		
-1	1K Platinum RTD, 1,000 Ω @ 0 °C, 3.85 Ω/°C temp. coeff.		
-2	2K Silicon RTD, 2,000 Ω @ 20 °C, 8 Ω/°C temp. coeff.		
-18	1.8K Thermistor, 1,800 Ω @ 25 °C		
-3	3K Thermistor, 3,000 Ω @ 25 °C		
-33	3.3K Thermistor, 3,300 Ω @ 25 °C		
-102	10K-2 Thermistor, 10,000 Ω @ 25 °C		
-103	10K-3 Thermistor, 10,000 Ω @ 25 °C		
-10311	10K-3[11K] Therm., 5,238 Ω @ 25 °C, 11kΩ shunt resistor		
-20	20K Thermistor, 20,000 Ω @ 25 °C		
-50	50K Thermistor, 50,000 Ω @ 25 °C		
-100	100K Thermistor, 100,000 Ω @ 25 °C		
-592	AD592 Semiconductor, 273 μA @ 0 °C		
-ES	External Sensor connection. 10K-2 thermistor purchased separately.**		
Optional Communication Jack			
-C11L	RJ11 (4 pin) Style Jack with Leads	\$20	\$ _____
-C11LT	RJ11 (4 pin) Style Jack w/ Leads and Terminal Block	\$20	\$ _____
-C35L	3.5 mm Phono Jack w/ Leads Attached	\$10	\$ _____
-C35LT	3.5 mm Phono Style Jack w/ Leads and Term. Block	\$10	\$ _____
-C22L	RJ22 (4 pin) Style Jack with Leads Attached	\$25	\$ _____
-C22LT	RJ22 (4 pin) Style Jack with Leads and Terminal Block	\$25	\$ _____
Optional Test & Balance Switch**			
-TB	Three Position Switch - "Low" & "High" values vary, "Normal" is live sensor value, call for details.*	\$7.50	\$ _____
Keypad Color Must Select One			
-GRY	Gray Keypad Color		
-OFW	Off White Keypad Color		

R = Output Range Designator		
Designator	Output Range	Span
00	0 to 5 V	5 Volts
01	1 to 5 V	4 Volts
02	3.7 to 0.85 V	2.85 Volts
03	5 to 0 V	5 Volts
04	4.2 to 1.2 V	3 Volts
10	0 to 10 V	10 Volts
20	889 to 111 Ω	778Ω
21	792 to 208 Ω	584Ω
22	695 to 305 Ω	390Ω
23	674 to 274 Ω	400Ω
24	597 to 305 Ω	292Ω
25	800 to 1200	400Ω
26	909 to 1309	400Ω
27	1800 to 2200	400Ω
28	866 to 1286	400Ω
40	0 to 1 kΩ	1 kΩ
41	500 to 1500 Ω	1 kΩ
42	2 to 3 kΩ	1 kΩ
43	249 to 1249 Ω	1 kΩ
44	10 to 11 kΩ	1 kΩ
45	12.5K-11.5K Ω	1 kΩ
46	1K to 0 Ω	1 kΩ
47	182 to 1182 Ω	1 kΩ
50	0 to 5 kΩ	5 kΩ
51	7.87k to 2.87kΩ	5 kΩ
60	0 to 10 kΩ	10 kΩ
61	15 to 5 kΩ	10 kΩ
62	9577 to 1422 Ω	10 kΩ
63	1 to 11 kΩ	10 kΩ
64	200 to 10200	10 kΩ
80	0 to 20 kΩ	20 kΩ
81	4.75 to 24.75 kΩ	20 kΩ
82	6.19 to 26.19 kΩ	20 kΩ
83	7.87 to 27.87 kΩ	20 kΩ
84	10 to 30 kΩ	20 kΩ

T = Temperature, Output & Display Range		
	°F	°C
A	-3 to +3	-3 to +3
B	-5 to +5	-5 to +5
C	50 to 90 °F	10 to 32 °C
D	55 to 85 °F	13 to 30 °C
E	60 to 80 °F	15 to 27 °C
F	65 to 80 °F	18 to 27 °C
G	45 to 96 °F	7 to 35 °C
J	68 to 78 °F	20 to 26 °C
K	65 to 95 °F	18 to 35 °C
L	70 to 74 °F	21 to 23 °C
P	-2 to +2	-2 to +2
X	40 to 80 °F	4 to 27 °C

H = Relative Humidity Range		
Designator	%RH	
M	0 to 100	
N	35 to 70	

G = Connection Configuration		
Designator	Type	
CG	Common Grnd	
DF	Differential Grnd	

EXAMPLE

BA/BS F 2 0 C -10 M -24 C 80 CG -61 CG -102 -C35L -TB -GRY

Example Part Number: BA/BSF2-0C-10M-24C80CG-61CG-102-C35L-TB-GRY

Your Part Number:

All ranges and options may not be shown here, call BAPI for additional options or with questions about this ordering grid

* Channel 1 or 2 are Common Ground

** Test & Balance is only available with Direct Sensor Type Output

***Must use a 10K-2 thermistor for the External Sensor option. Thermistor is purchased separately. (25' max) This option is only available on units without humidity

List Price	Your Order
\$200	\$ _____
\$80	\$ _____
\$50 for Channel #1	\$ _____
\$50 for Channel #2	\$ _____
\$50 for Channel #3	\$ _____
RTD's \$25 Each or \$35 for 1N1	\$ _____
Thermistors \$18 Each	\$ _____
Semi conductors \$25 Each	\$ _____
\$20	\$ _____
\$20	\$ _____
\$10	\$ _____
\$10	\$ _____
\$25	\$ _____
\$25	\$ _____
\$7.50	\$ _____
Total =	\$ _____

