



Features & Options



- Modern, Aesthetically Pleasing Enclosure Style
- Setpoint and/or Override (optional)
- Communication Jack (optional)
- Test and Balance Switch (optional)
- Limited Lifetime Warranty



BAPI-Stat 4 Units with Warm White Logo Plates



BAPI-Stat 4 Units with Gray Logo Plates

Setpoint & Legend

The optional Setpoint is a linear slidepot adjustment that comes in various ranges, and is available as Reverse or Direct Acting. An optional Setpoint Legend can be imprinted on the base of the enclosure. Common Legends include “Cool/Warm”, “65 to 80”(°F), “55 to 85”(°F), and “5 to 30”(°C). (See ordering grid on opposite page for all Legend options.)

Override

The optional Override is a discreet momentary signal that can be configured to be compatible with any controller.

Communication Jack

Available with RJ11 (4 pin), RJ12 (6 pin), RJ45 (8 pin), RJ22 (4 pin) or a 3.5 mm phono plug style jack.

Test and Balance Switch

A three-position slider can be provided on the back of the unit to change the sensor output as follows—the “Low” setting is “Full Cool”, “Normal” is the live sensor value, and “High” is “Full Heat”.

For detailed specifications on the individual Sensors & Transmitters, turn to the Sensors section

* All Passive Thermistors 10K Ω and smaller are CE compliant.

The **BAPI-Guard**

- Prevents Tampering and Unauthorized Adjustment
- Exceptional Airflow for Proper Thermostat Operation
- Available in Two Sizes

(See Accessories for more info.)



Specifications

Environmental

Operation Range:

Temperature: 32 to 122 °F (0 to 50 °C)

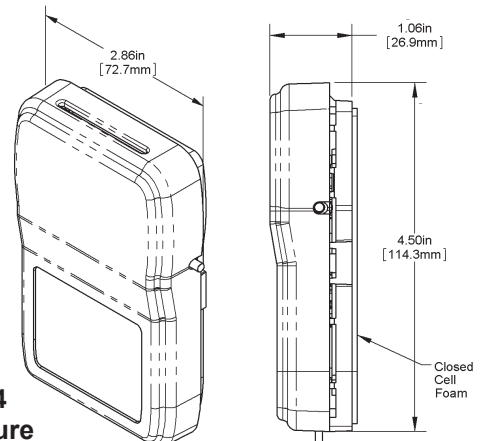
Humidity: 0 to 95%, non-condensing

Material:

ABS Plastic

Material Rating:

UL 94, V-0



BAPI-Stat 4 Style Enclosure





BAPI-Stat 4™ Style Units without Display

A7

Rev. 01/10/14

Temperature Sensors

Ordering Grids without List Prices are available on our website at www.bapihvac.com

Ordering Information							BAPI-Stat 4 Style Room Units without Display - Temperature		List Price	Your Order
BA/	Sensor Type (Must select one) Use the designator number (shown to the left in bold) to indicate the sensor									
#	1.8K 1.8K Ω @ 25 °C 3K 3K Ω @ 25 °C 3.25K 3.25K Ω @ 25 °C (T30 type) 3.3K 3.3K Ω @ 25 °C 10K-2 10K Ω @ 25 °C 10K-3 10K Ω @ 25 °C 10K-3[11K] 5,238 Ω @ 25 °C 20K 20K Ω @ 25 °C 50K 50K Ω @ 25 °C 100K 100K Ω @ 25 °C	THERMISTORS 100 100 Ω Platinum @ 0 °C, .385 Ω/°C temp. coeff. 100[3W] 3 Wire 100 Ω Platinum @ 0 °C, .385 Ω/°C temp. coeff.* 1K[375] 1K Ω Platinum @ 0 °C, 3.75 Ω/°C temp. coeff. 1K[Ni] 1K Ω Nickel @ 21°C, 5 Ω/°C temp. coeff. 1K 1K Ω Platinum @ 0 °C, 3.85 Ω/°C temp. coeff. 2K 2K Ω Silicon @ 20 °C, 8 Ω/°C temp. coeff.	RTDs 334 LM334 Semiconductor 592 AD592 Semiconductor, 273 µA @ 0 °C 592-10K AD592 Semicond. w/ 10 kΩ shunt resistor, 2.73 V @ 0 °C	Thermistors \$18 Each RTD's \$25 Each or \$35 for 1K[Ni]						
	Enclosure Style (Must select one)									
	-B4 BAPI-Stat 4 Style Room Enclosure									
	Setpoint	If setpoint is required, must select Range and Legend								
	##	SETPOINT OUTPUT VALUE RANGE (insert Designator #)								
		Desired Range	Designator	Desired Range	Designator					
		800 to 1200 Ω	25	15 to 5 kΩ	61					
		909 to 1309 Ω	26	0 to 20 kΩ	80					
		1800 to 2200 Ω	27	4.75 to 24.75 kΩ	81					
		0 to 1 kΩ	40	6.19 to 26.19 kΩ	82					
		500 to 1500 Ω	41	7.87 to 27.87 kΩ	83					
		2 to 3 kΩ	42	10 to 30 kΩ	84					
		0 to 10 kΩ	60	See App. Notes for other Setpoint Ranges						
		SETPOINT LEGEND (insert Designator #)								
		Legend Range	Designator	Legend Range	Designator					
		5-30 C	L1	68-70-72	L5					
		55-85 F	L2	COOL/WARM	L6					
		60-85 F	L3	WARM/COOL	L7					
		65-80 F	L4	No Legend	L0					
		Override Configuration <i>Must select one</i>								
		-J	Override as a Separate Input (Not available with voltage setpoint)							
		-N	Override in Parallel (//) with Sensor							
		-P	Override in Parallel (//) with Setpoint (Not available with voltage setpoint)							
		-Z	No Override							
		Communication Jack <i>Select one if required, omit if not required</i>								
		-C35	3.5 mm Phono Style Jack				\$7	\$		
		-C11	RJ11 (4 pin) Style Jack				\$7	\$		
		-C12	RJ12 (6 pin) Style Jack				\$7	\$		
		-C22	RJ22 (4 pin) Style Jack				\$12	\$		
		Optional Test & Balance								
		-TB	Three Position Switch - "Low" & "High" values vary, "Normal" is live sensor value. Call for details.				\$7.50	\$		
		Connection Configuration <i>Must select one</i>								
		-CG	Common Ground (Required for voltage setpoint)							
		-DF	Differential Inputs							
		Logo Plate Color								
		-WMW	Warm White Logo Plate Color (standard)							
		-GRY	Gray Logo Plate Color							
EXAMPLE										
BA/	10K-2	-B4	25L1	-J	-C35	-CG	-WMW			
Example Part Number: BA/10K-2-B425L1-J-C35-CG-WMW								Total =	\$	
Your Part Number:										

* The 100[3W] sensor is not available with Setpoint, Override, Communication jack or Test & Balance switch options.

Call BAPI if you have questions about the above ordering/pricing grid or the configuration of the product you are ordering.

