



## Features & Options

- Patented BAPI Enclosure Style
- Humidity Only or Temp./Humidity Combo
- 2% RH Accuracy
- Full Range Temperature Compensated RH Signal
- Optional Display
- Optional Temperature Setpoint & Override
- Optional Communications Jack
- Wide Selection of Temp. Sensing Elements
- Two Year Warranty



**BAPI-Stat 4 Units with Warm White and Gray Logo Plates**

The BAPI-Stat 4 Style room unit is available as a humidity only sensor or as a combination temperature and humidity sensor with optional display, temperature setpoint adjustment and occupant override. It is available with the entire line of BAPI temperature sensors.

**For detailed specs on the individual Sensors & Transmitters, turn to the Sensors section.**

### The **BAPI-Guard**

- Prevents Tampering and Unauthorized Adjustment
  - Exceptional Airflow for Proper Thermostat Operation
  - Available in Two Sizes
- (See Accessories for more info.)



## Specifications

**Power:** 10 to 35 VDC for 4 to 20 mA Output  
 10 to 35 VDC for 0 to 5 VDC Output  
 15 to 35 VDC for 0 to 10 VDC Output  
 12 to 24 VAC for 0 to 5 VDC Output (requires a separate pair of shielded wires)  
 15 to 28 VAC for 0 to 10 VDC Output (requires a separate pair of shielded wires)

### Power Consumption:

20 mA max. for 4 to 20 mA Output  
 4 mA max. for 0 to 5 VDC and 0 to 10 VDC Output  
 0.1 VA max. for 0 to 5 VDC and 0 to 10 VDC Output

### RH/Temp Sensor Construction: Communicating Integrated Circuit

Humidity: Capacitive Polymer,  
 $\pm 2\%$  RH (10% to 90%) @25°C, Fully Compensated

Temperature: Semi-conductor Band Gap,  $\pm 0.3^\circ\text{C}$  @ 25°C

### Field Calibration Adjustment:

Potentiometer:  $\pm 5\%$  in 0.1% increments (Factory Calibrated)

### Wiring: 2 to 6 pair of 16 to 22 AWG\*

### Mounting: Standard 2"x4" J-box or drywall mount - screws provided

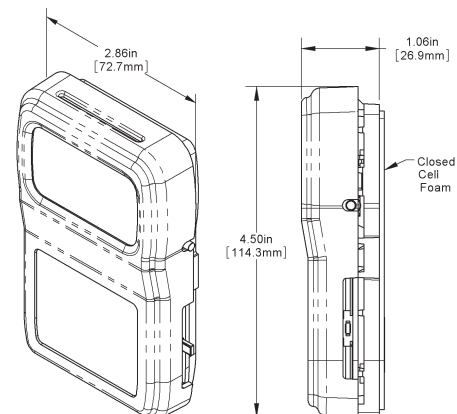
### Environmental Operation Range:

Temperature: 32 to 122 °F (0 to 50 °C)  
 Humidity: 0 to 95%, non-condensing

### Material: ABS Plastic

### Material Rating: UL 94, V-0

\*BAPI recommends that you do not run wiring for the room units in the same conduit as line voltage wiring or with wiring used to supply highly inductive loads such as motors, generators and coils.





Rev. 10/16/12

# BAPI-Stat 4™ Style Units

## Humidity & Combination Temp/Humidity Sensors

B5

Ordering Information BAPI-Stat 4 Style Room Unit, Humidity only or Temp./Humidity Combo												
BA/												
Sensor Type Skip if not required Use the designator number (shown to the left in bold) to indicate the sensor												
##-	<b>THERMISTORS</b>					<b>RTDs</b>						
	1.8K	1.8K Ω @ 25 °C			<b>100</b>	100 Ω Platinum @ 0 °C, .385 Ω/°C temp. coeff.						
	3K	3K Ω @ 25 °C			<b>1K [375]</b>	1K Ω Platinum @ 0 °C, 3.75 Ω/°C temp. coeff.						
	3.25K	3.25K Ω @ 25 °C (T30 type)			<b>1K</b>	1K Ω Platinum @ 0 °C, 3.85 Ω/°C temp. coeff.						
	3.3K	3.3K Ω @ 25 °C			<b>2K</b>	2K Ω Silicon @ 20 °C, 8 Ω/°C temp. coeff.						
	10K-2	10K Ω @ 25 °C			<b>SEMICONDUCTORS</b>							
	10K-3	10KΩ @ 25 °C			<b>334</b>	LM334 Semiconductor						
	10K-3[11K]	5,238 Ω @ 25 °C			<b>592</b>	AD592 Semiconductor, 273 μA @ 0 °C						
	20K	20K Ω @ 25 °C										
	50K	50K Ω @ 25 °C										
100K	100K Ω @ 25 °C											
<b>Humidity Transmitter Must select one</b>												
H220	±2% Humidity Transmitter, 4-20 mA output*											
H205	±2% Humidity Transmitter, 0 to 5 VDC output											
H210	±2% Humidity Transmitter, 0 to 10 VDC output											
H212	±2% Humidity Transmitter, 2 to 10 VDC output											
<b>Enclosure Style Must select one</b>												
-B4	BAPI-Stat 4 Style Enclosure											
<b>LCD Display Must select one</b>												
D	LCD Display											
X	No LCD Display											
<b>*F or °C Display Mode Select one if ordering a unit with LCD Display</b>												
F	Temperatures Displayed in °F											
C	Temperatures Displayed in °C											
<b>Setpoint Display Options Skip if not required</b>												
-#	<b>Desired Range</b>	<b>Designator</b>	<b>Desired Range</b>	<b>Designator</b>								
	-2 to +2	P	60 to 80 °F or 15 to 27 °C	E								
	-3 to +3	A	65 to 80 °F or 18 to 27 °C	F								
	-5 to +5	B	70 to 74 °F or 21 to 23 °C	L								
	50 to 90 °F or 10 to 32 °C	C	45 to 96 °F or 7 to 36 °C	G								
55 to 85 °F or 13 to 30 °C	D	See pg 13 for Additional Setpoint Display Ranges										
<b>Setpoint Output Value Range Skip if not required</b>												
##	<b>Desired Range</b>	<b>Designator</b>	<b>Desired Range</b>	<b>Designator</b>								
	674 to 274 Ω	23	15 to 5 kΩ	61								
	800 to 1200 Ω	25	0 to 20 kΩ	80								
	909 to 1309 Ω	26	4.75 to 24.75 kΩ	81								
	1800 to 2200 Ω	27	6.19 to 26.19 kΩ	82								
	0 to 1 kΩ	40	7.87 to 27.87 kΩ	83								
	500 to 1500 Ω	41	10 to 30 kΩ	84								
2 to 3 kΩ	42	0 to 100 kΩ	90									
0 to 10 kΩ	60	0 to 5 V**	00									
See App. Notes pg 12 for Additional Setpoint Ranges												
<b>SETPOINT LEGEND (insert Designator #)</b>												
<b>Legend Range</b>	<b>Designator</b>	<b>Legend Range</b>	<b>Designator</b>									
5-30 C	L1	65-80 F	L4									
55-85 F	L2	COOL/WARM	L6									
60-85 F	L3	WARM/COOL	L7									
		No Legend	L0									
<b>Override Configuration Must select one</b>												
-J	Override as a Separate Output. (Dry contact only, not intended to switch a load)											
-N	Override in Parallel (//) with Sensor											
-P	Override in Parallel (//) with Setpoint: NOT available on voltage setpoint models											
-Z	No Override. (Needed if no override is required)											
<b>Optional Communication Jack Mounted in unit's base</b>												
-C11L	RJ11 (4 pin) Style Jack with Leads											
-C11LT	RJ11 (4 pin) Style Jack with Leads and Terminal Block											
-C35L	3.5 mm Phono Jack w/ Leads Attached											
-C35LT	3.5 mm Phono Style Jack with Leads and Terminal Block											
-C22L	RJ22 (4 pin) Style Jack with Leads Attached											
-C22LT	RJ22 (4 pin) Style Jack with Leads and Terminal Block											
<b>Optional Test and Balance Switch</b>												
-TB	Three Position Switch - "Low" & "High" values vary, "Normal" is live sensor value, call for details.											
<b>Connection Configuration</b>												
Must select one, default is common ground												
-CG	Common Ground											
-DF	Differential Inputs (only with resistive setpoint)											
<b>Logo Plate Color Must select one</b>												
-WMW	Warm White Logo Plate Color (standard)											
-GRY	Gray Logo Plate Color											
<b>EXAMPLE</b>												
BA/	10K-2-	H220	-B4	D	F	-C	80L6	-J	-C35L	-TB	-CG	-WMW
Example Part Number: BA/10K-2-H220-B4DF-C80L6-J-C35L-TB-CG-WMW												
<b>Your Part Number:</b>												

\*DC input voltage is required for current output.

\*\*Common Ground Model Only

Call BAPI if you have questions about the above ordering grid or the configuration of the product you are ordering.

