



Features & Options

- Patented BAPI Enclosure Style
- Robust Tactile Pushbuttons
- Large Display with Multiple Indicators
- Occupancy Override
- Slider or Pushbutton Setpoint Adjustment
- Optional Fan Speed & Mode Control
- Optional Communication Jack and Test & Balance
- Wide Selection of Temp. Sensing Elements
- Two Year Warranty



BAPI-Stat 2S

BAPI-Stat 2M

The patented BAPI-Stat 2 unit features a large LCD with all the indicators on the display itself. It provides local indication of Temperature and Setpoint with Setpoint Adjust and Override. It also has optional Fan Speed and Mode Control for applications with Fan Coils, Heat Pumps or Unit Ventilators.

The Setpoint is available as a slidepot or as pushbuttons and is displayed on the LCD for a short time after an adjustment. The Setpoint can be displayed as an offset (i.e. -2, -1, 0, 1, 2) or as a value within a specified temperature range (i.e. 65 to 80°F). The Override is a momentary signal that can be configured in parallel with the sensor or setpoint, or as a separate output or a latching switch. An optional 3.5mm (1/8") or RJ11 Comm Jack can be mounted in the base for direct access to the network.

For detailed specs on the individual Sensors & Transmitters, turn to the Sensors section.

The **BAPI-Guard** Thermostat Protector

- Prevents Tampering and Unauthorized Adjustment
- Exceptional Airflow for Proper Thermostat Operation
- Available in Two Sizes

(See Accessories for more info.)



Specifications

Power for 5VDC Power Units:

0 to 5 VDC Setpoint or Resistive Setpoint 5V ±1% (5 VDC nominal, Input regulation affects accuracy)

Power for 24VDC Power Units:

0 to 5 VDC Setpoint or Resistive Setpoint 9 to 40 VDC (24 VDC nominal)
0 to 10 VDC Setpoint or Resistive Setpoint 15 to 40 VDC (24 VDC nominal)
Any Legal Setpoint 15 to 28 VAC (24 VAC nominal)

Note: AC power requires a separate pair of shielded wires.

Power Consumption: 7 mA max DC; .17 VA maximum AC

Sensing Element: Thermistor, RTD or Semiconductor

Wiring: 2 to 4 pair of 16 to 22AWG*

Comm. Jack: Optional 3.5mm (1/8") Phono Jack or RJ11 Phone Jack

Mounting: Standard 2" by 4" J-box or drywall mount (screws provided)

Environmental Operation Range:

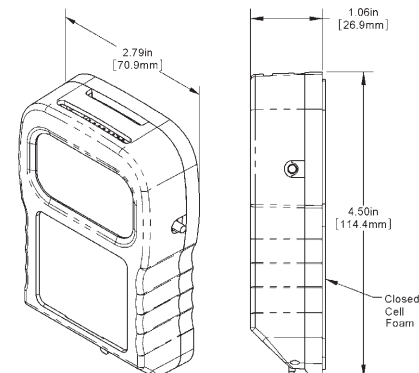
Temperature: 32 to 122 °F (0 to 50 °C)

Humidity: 0 to 95%, non-condensing

Enclosure Material & Rating: ABS Plastic, UL94, V-0

VC350A "EZ" - Voltage Converter

BAPI recommends using DC power on room units for a more stable reading. Our 350mA "EZ" unit is a perfect way to convert 24 VAC to 5, 12, 15 or 24 VDC. The revolutionary "EZ" mounting system allows for snaptrack, DIN rail or surface mounting. See the Accessories section for more info.



*BAPI recommends that you do not run wiring for the Room Units in the same conduit as line voltage wiring or with wiring used to supply highly inductive loads such as motors, generators and coils. Also, these units are not designed for line voltage applications.





BAPI-Stat 2™ Room Unit with Display

Temperature Sensors

A7

Rev. 02/24/15



Ordering Information		BAPI-Stat 2 Room Unit with Display - Temperature							
BA/BS2M	BAPI-Stat 2 Style Enclosure with Multi-Mode Pushbuttons								
BA/BS2S	BAPI-Stat 2 Style Enclosure with Slidepot Setpoint Adjustment								
Display Mode (Required selection)		Pick F (°F) or C (°C) Indication							
F	Temperatures Displayed in °F								
C	Temperatures Displayed in °C								
Setpoint Configuration (Must select for BS2M. Optional for BS2S)		Cool/Warm legend on base is standard for BS2S							
#	SETPOINT DISPLAY OPTIONS (Skip if not required)								
	Desired Range	Designator	Desired Range	Designator					
	-2 to +2	P	55 to 85 °F or 13 to 30 °C	D					
	-3 to +3	A	60 to 80 °F or 15 to 27 °C	E					
	-5 to +5	B	65 to 80 °F or 18 to 27 °C	F					
	50 to 90 °F or 10 to 32 °C	C	70 to 74 °F or 21 to 23 °C	L					
			45 to 96 °F or 7 to 36 °C	G					
##	SETPOINT OUTPUT VALUE RANGE (Skip if not required)								
	Desired Range	Designator	Desired Range	Designator					
	889 to 111 Ω ¹	20	0 to 20 kΩ	80					
	674 to 274 Ω	23	4.75 k to 24.75 kΩ	81					
	800 to 1200 Ω	25	6.19 k to 26.19 kΩ	82					
	909 to 1309 Ω	26	7.87 k to 27.87 kΩ	83					
	1800 to 2200 Ω	27	10 k to 30 kΩ	84					
	0 to 1000 Ω	40	0 to 100 kΩ	90					
	500 to 1500 Ω	41	0 to 5 V ²	00					
	2 k to 3 kΩ	42	3.7 V to 0.85 V ^{1,2}	02					
	0 to 10 kΩ	60	5 to 0 V ²	03					
	15 k to 5 kΩ	61	0 to 10 V ²	10					
<i>See App. Notes pg 2 for Additional Setpoint Ranges</i>									
Pushbutton Fan Speed/Mode Options (BS2M only) Skip if not required (Single resistive output)									
-XLD	Pushbutton Fan Speed Adjustment [Off (5K), Auto (10K), Lo (15K), Med (20K), Hi (25K)] with LCD Indication								
-X01	Pushbutton Fan Speed Adjustment [Off (4.89K), Auto (2.33K), Lo (10.63K), Med (13.24K), Hi (16.33K)] with LCD Indication								
-X02	Pushbutton Fan Speed Adjustment [Off (2K), Auto (4K), Lo (6K), Med (8K), Hi (10K)] with LCD Indication								
-X06	Pushbutton Fan Speed Adjustment [Off (6.5K), Lo (8.5K), Med (10.5K), Hi (12K)] with LCD Indication								
-HCF	Pushbutton Mode [Heat/Auto (5K), Off/Auto (10K), Cool/Auto (15K), Heat/On (20K), Off/On (25K), Cool/On (30K)] with LCD Indication								
-H01	Pushbutton Mode [Heat/Auto (0Ω), Off/Auto (2K), Cool/Auto (4K), Heat/On (6K), Off/On (8K), Cool/On (10K)] with LCD Indication								
Override Configuration		Must select one							
-L#	Override as a Latching Switch (24VDC/VAC @ 800mA max). The "#" represents latching display options 1-9. See App. Notes pg. 111 for more information or contact your BAPI representative.								
-J	Override as a Separate Output. (Dry contact only, not intended to switch a load.)								
-N	Override in Parallel (//) with Sensor								
-P	Override in Parallel (//) with Setpoint: NOT available on voltage setpoint models								
-Z	No Override. (Needed if no override is required)								
Optional Communication Jack		Mounted in unit's base							
-C11L	RJ11 (4 pin) Style Jack with Leads Attached								
-C11LT	RJ11 (4 pin) Style Jack with Leads and a Terminal Block Attached								
-C35L	3.5 mm Phono Style Jack with Leads Attached								
-C35LT	3.5 mm Phono Style Jack with Leads and a Terminal Block Attached								
-C22L	RJ22 (4 pin) Style Jack with Leads Attached								
-C22LT	RJ22 (4 pin) Style Jack with Leads and Terminal Block Attached								
Power Available at Panel		Must select one							
-5	Regulated, 5 VDC (See Power Specifications on datasheet)								
-24	9 to 40 VDC or 15 to 28 VAC (See Power Specifications on datasheet)								
Direct Out Sensor		Optional							
-1375	1K Platinum RTD, 1,000 Ω @ 0 °C, 3.75 Ω/°C temp. coeff.								
-1NI	1K Ω Nickel RTD, 1,000 Ω @ 21 °C, 5 Ω/°C temp. coeff.								
-1	1K Platinum RTD, 1,000 Ω @ 0 °C, 3.85 Ω/°C temp. coeff.								
-2	2K Silicon RTD, 2,000 Ω @ 20 °C, 8 Ω/°C temp. coeff.								
-18	1.8K Thermistor, 1,800 Ω @ 25 °C								
-3	3K Thermistor, 3,000 Ω @ 25 °C								
-33	3.3K Thermistor, 3,300 Ω @ 25 °C								
-102	10K-2 Thermistor, 10,000 Ω @ 25 °C								
-103	10K-3 Thermistor, 10,000 Ω @ 25 °C								
-10311	10K-3[11K] Thermistor, 5,238 Ω @ 25 °C, 11kΩ shunt resistor								
-20	20K Thermistor, 20,000 Ω @ 25 °C								
-50	50K Thermistor, 50,000 Ω @ 25 °C								
-100	100K Thermistor, 100,000 Ω @ 25 °C								
-592	AD592 Semiconductor, 273 μA @ 0 °C								
-ES	External Sensor for Display Only. Order 10K-2 thermistor separately. 25 feet max.								
Optional Test and Balance Switch									
-TB	Three Position Switch - "Low" & "High" values vary, "Normal" is live sensor value, call for details.								
Connection Configuration (Select one, default is common ground)									
-CG	Common Ground (must select for voltage setpoint units)								
-DF	Differential Inputs (only available with resistive setpoint)								
Optional Copla White Enclosure (Warm White is Standard)									
-CPW	Copla White Enclosure Color								
EXAMPLE									
BA/BS2M	C	-F80	-XLD	-N	-C11L	-24	-102	-TB	-DF
Example Part Number: BA/BS2MC-F80-XLD-N-C11L-24-102-TB-DF									
Your Part Number:									

All models can be field calibrated so the displayed ambient temperature value matches a reference device (±3°, ½° steps), call for details.

Override indication is activated by logic low or dry contact signal from the controller to GND.

¹ Available on pushbutton (BS2M) models only

² 9 to 40 VDC (24 VDC nominal) power is required. Common Ground Only (-CG)

³ 15 to 40 VDC (24 VDC nominal) power is required. Common Ground Only (-CG)

