



Features & Options

- Modern, Aesthetically Pleasing Enclosure Style
- Setpoint and/or Override (optional)
- Communication Jack (optional)
- Test and Balance Switch (optional)
- Wide Selection of Temperature Sensing Elements
- Limited Lifetime Warranty



BAPI-Stat 2 Style Unit



BAPI-Stat 2 Style Unit
with Setpoint & Override

Setpoint & Legend

The optional Setpoint is a linear slidepot adjustment that comes in various ranges, and is available as Reverse or Direct Acting. An optional Setpoint Legend can be imprinted on the base of the enclosure. Common Legends include “Cool/Warm”, “65 to 80”(°F), “55 to 85”(°F), and “5 to 30”(°C). (See ordering grid on opposite page for all Legend options.)

Override

The optional Override is a discreet momentary signal that can be configured to be compatible with any controller.

Communication Jack

Available with RJ11 (4 pin), RJ12 (6 pin), RJ45 (8 pin), RJ22 (4 pin) or a 3.5 mm phono plug style jack.

Test and Balance Switch

A three-position slider can be provided on the back of the unit to change the sensor output as follows—the “Low” setting is “Full Cool”, “Normal” is the live sensor value, and “High” is “Full Heat”.

For detailed specifications on the individual Sensors & Transmitters, turn to the Sensors section

* All Passive Thermistors 10K Ω and smaller are CE compliant.

The **BAPI-Guard** Thermostat Protector

- Prevents Tampering and Unauthorized Adjustment
- Exceptional Airflow for Proper Thermostat Operation
- Available in Two Sizes
(See Accessories for more info.)



Specifications

Environmental Operation Range:

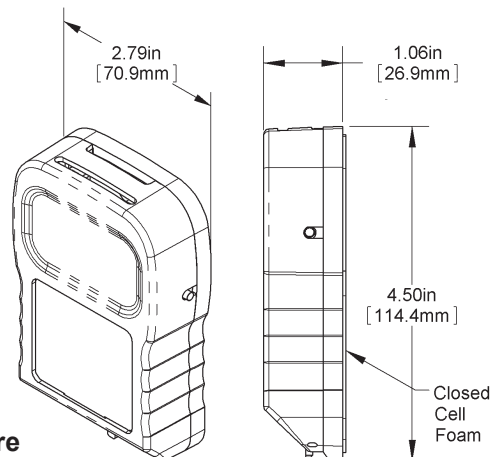
Temperature: 32 to 122 °F (0 to 50 °C)
Humidity: 0 to 95%, non-condensing

Material:

ABS Plastic

Material Rating:

UL 94, V-0



BAPI-Stat 2
Style Enclosure





BAPI-Stat 2™ Room Units without Display

A11

Rev. 01/10/14

Temperature Sensors

Ordering Information						
BAPI-Stat 2 Style Room Units without Display - Temperature						
BAJ	Sensor Type <i>Must select one</i> Use the designator number (shown to the left in bold) to indicate the sensor					
#	THERMISTORS			RTDs		
	1.8K	1.8K Ω @ 25 °C	100	100 Ω Platinum @ 0 °C, .385 Ω/°C temp. coeff.		
	3K	3K Ω @ 25 °C	100[3W]	3 Wire 100 Ω Platinum @ 0 °C, .385 Ω/°C temp. coeff.*		
	3.25K	3.25K Ω @ 25 °C (T30 type)	1K[375]	1K Ω Platinum @ 0 °C, 3.75 Ω/°C temp. coeff.		
	3.3K	3.3K Ω @ 25 °C	1K[Ni]	1K Ω Nickel @ 21 °C, 5 Ω/°C temp. coeff.		
	10K-2	10K Ω @ 25 °C	1K	1K Ω Platinum @ 0 °C, 3.85 Ω/°C temp. coeff.		
	10K-3	10K Ω @ 25 °C	2K	2K Ω Silicon @ 20 °C, 8 Ω/°C temp. coeff.		
	10K-3[11K]	5,238 Ω @ 25 °C				
	20K	20K Ω @ 25 °C				
	50K	50K Ω @ 25 °C	334	LM334 Semiconductor		
100K	100K Ω @ 25 °C	592	AD592 Semiconductor, 273 μA @ 0 °C			
		592-10K	AD592 Semicond. w/ 10 kΩ shunt resistor, 2.73 V @ 0 °C			
Enclosure Style <i>Must select one</i>						
-B	BAPI-Stat 2 Style Room Enclosure					
	Setpoint	<i>If setpoint is required, must select Range and Legend</i>				
	##	SETPOINT OUTPUT VALUE RANGE (insert Designator #)				
		Desired Range	Designator	Desired Range	Designator	
		800 to 1200 Ω	25	15 to 5 kΩ	61	
		909 to 1309 Ω	26	0 to 20 kΩ	80	
		1800 to 2200 Ω	27	4.75 to 24.75 kΩ	81	
		0 to 1 kΩ	40	6.19 to 26.19 kΩ	82	
		500 to 1500 Ω	41	7.87 to 27.87 kΩ	83	
		2 to 3 kΩ	42	10 to 30 kΩ	84	
		0 to 10 kΩ	60	See App. Notes for other Setpoint Ranges		
		SETPOINT LEGEND (insert Designator #)				
	Legend Range	Designator	Legend Range	Designator		
	5-30 C	L1	68-70-72	L5		
	55-85 F	L2	COOL/WARM	L6		
	60-85 F	L3	WARM/COOL	L7		
	65-80 F	L4	No Legend	L0		
Override Configuration <i>Must select one</i>						
	-J	Override as a Separate Input				
	-N	Override in Parallel (//) with Sensor				
	-P	Override in Parallel (//) with Setpoint				
	-Z	No Override				
Communication Jack <i>Select one if required, omit if not required</i>						
	-C35	3.5 mm Phono Style Jack				
	-C11	RJ11 (4 pin) Style Jack				
	-C12	RJ12 (6 pin) Style Jack				
	-C22	RJ22 (4 pin) Style Jack				
Optional Test & Balance						
	-TB	Three Position Switch - "Low" & "High" values vary, "Normal" is live sensor value. Call for details.				
Connection Configuration <i>Must select one</i>						
	-CG	Common Ground				
	-DF	Differential Inputs				
Optional Copla White Enclosure (Warm White is Standard)						
	-CPW	Copla White Enclosure Color				
EXAMPLE						
BAJ	10K-2	-B	25L1	-J	-C35	-CG
Example Part Number: BAJ10K-2-B25L1-J-C35-CG						
Your Part Number:						

* The 100[3W] sensor is not available with Setpoint, Override, Communication jack or Test & Balance switch options.
Call BAPI if you have questions about the above ordering/pricing grid or the configuration of the product you are ordering.

