



## Features & Options

- Modern, Aesthetically Pleasing Enclosure Style
- Setpoint and/or Override (optional)
- Communication Jack (optional)
- Test and Balance Switch (optional)
- Wide Selection of Temperature Sensing Elements
- Limited Lifetime Warranty



BAPI-Stat 2 Style Unit



BAPI-Stat 2 Style Unit  
with Setpoint & Override

### Setpoint & Legend

The optional Setpoint is a linear slidepot adjustment that comes in various ranges, and is available as Reverse or Direct Acting. An optional Setpoint Legend can be imprinted on the base of the enclosure. Common Legends include “Cool/Warm”, “65 to 80”(°F), “55 to 85”(°F), and “5 to 30”(°C). (See ordering grid on opposite page for all Legend options.)

### Override

The optional Override is a discreet momentary signal that can be configured to be compatible with any controller.

### Communication Jack

Available with RJ11 (4 pin), RJ12 (6 pin), RJ45 (8 pin), RJ22 (4 pin) or a 3.5 mm phono plug style jack.

### Test and Balance Switch

A three-position slider can be provided on the back of the unit to change the sensor output as follows—the “Low” setting is “Full Cool”, “Normal” is the live sensor value, and “High” is “Full Heat”.

*For detailed specifications on the individual Sensors & Transmitters, turn to the Sensors section*

\* All Passive Thermistors 10K  $\Omega$  and smaller are CE compliant.

### The **BAPI-Guard** Thermostat Protector

- Prevents Tampering and Unauthorized Adjustment
- Exceptional Airflow for Proper Thermostat Operation
- Available in Two Sizes  
(See Accessories for more info.)



## Specifications

### Environmental Operation Range:

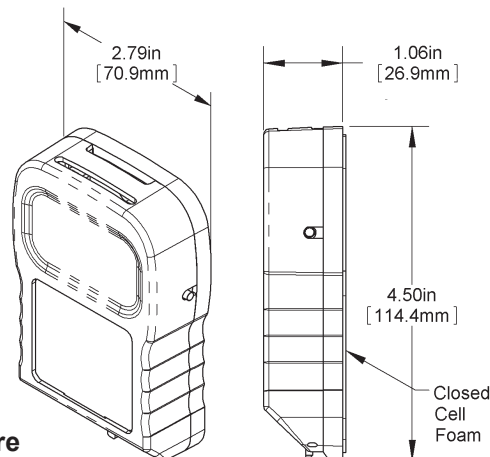
Temperature: 32 to 122 °F (0 to 50 °C)  
Humidity: 0 to 95%, non-condensing

### Material:

ABS Plastic

### Material Rating:

UL 94, V-0



BAPI-Stat 2  
Style Enclosure





# BAPI-Stat 2™ Room Units without Display

# A11

Rev. 01/10/14

## Temperature Sensors

Ordering Grids without List Prices are available on our website at [www.bapihvac.com](http://www.bapihvac.com)

Ordering Information				List Price	Your Order			
<b>BAPI-Stat 2 Style Room Units without Display - Temperature</b>								
<b>BA/</b>	<b>Sensor Type</b> <i>Must select one</i> Use the designator number (shown to the left in bold) to indicate the sensor							
#	<b>THERMISTORS</b>		<b>RTDs</b>	<b>Thermistors</b>				
	1.8K 1.8K Ω @ 25 °C	<b>100</b> 100 Ω Platinum @ 0 °C, .385 Ω/°C temp. coeff.		\$18 Each	\$ _____			
	3K 3K Ω @ 25 °C	<b>100[3W]</b> 3 Wire 100 Ω Platinum @ 0 °C, .385 Ω/°C temp. coeff.*		<b>RTD's</b>				
	3.25K 3.25K Ω @ 25 °C (T30 type)	<b>1K[375]</b> 1K Ω Platinum @ 0 °C, 3.75 Ω/°C temp. coeff.		\$25 Each	\$ _____			
	3.3K 3.3K Ω @ 25 °C	<b>1K[Ni]</b> 1K Ω Nickel @ 21°C, 5 Ω/°C temp. coeff.		or				
	10K-2 10K Ω @ 25 °C	<b>1K</b> 1K Ω Platinum @ 0 °C, 3.85 Ω/°C temp. coeff.		\$35 for 1K[Ni]	\$ _____			
	10K-3 10K Ω @ 25 °C	<b>2K</b> 2K Ω Silicon @ 20 °C, 8 Ω/°C temp. coeff.						
	10K-3[11K] 5,238 Ω @ 25 °C			<b>Semi-conductors</b>				
	20K 20K Ω @ 25 °C			\$25 Each	\$ _____			
	50K 50K Ω @ 25 °C	<b>334</b> LM334 Semiconductor						
	100K 100K Ω @ 25 °C	<b>592</b> AD592 Semiconductor, 273 μA @ 0 °C						
		<b>592-10K</b> AD592 Semicond. w/ 10 kΩ shunt resistor, 2.73 V @ 0 °C						
<b>Enclosure Style</b> <i>Must select one</i>								
	<b>-B</b>	BAPI-Stat 2 Style Room Enclosure						
		<b>Setpoint</b>	<i>If setpoint is required, must select Range and Legend</i>					
		<b>SETPOINT OUTPUT VALUE RANGE (insert Designator #)</b>		\$6 for Setpoint	\$ _____			
		<b>Desired Range</b>	<b>Designator</b>					
		800 to 1200 Ω	<b>25</b> 15 to 5 kΩ					
		909 to 1309 Ω	<b>26</b> 0 to 20 kΩ					
		1800 to 2200 Ω	<b>27</b> 4.75 to 24.75 kΩ					
		0 to 1 kΩ	<b>40</b> 6.19 to 26.19 kΩ					
		500 to 1500 Ω	<b>41</b> 7.87 to 27.87 kΩ					
		2 to 3 kΩ	<b>42</b> 10 to 30 kΩ					
		0 to 10 kΩ	<b>60</b> See App. Notes for other Setpoint Ranges					
		<b>SETPOINT LEGEND (insert Designator #)</b>						
		<b>Legend Range</b>	<b>Designator</b>	<b>Legend Range</b>	<b>Designator</b>			
		5-30 C	<b>L1</b> 68-70-72		<b>L5</b>			
		55-85 F	<b>L2</b> COOL/WARM		<b>L6</b>			
		60-85 F	<b>L3</b> WARM/COOL		<b>L7</b>			
		65-80 F	<b>L4</b> No Legend		<b>L0</b>			
<b>Override Configuration</b> <i>Must select one</i>								
	<b>-J</b>	Override as a Separate Input						
	<b>-N</b>	Override in Parallel (//) with Sensor		\$5 for any Override	\$ _____			
	<b>-P</b>	Override in Parallel (//) with Setpoint						
	<b>-Z</b>	No Override						
<b>Communication Jack</b> <i>Select one if required, omit if not required</i>								
	<b>-C35</b>	3.5 mm Phono Style Jack		\$7	\$ _____			
	<b>-C11</b>	RJ11 (4 pin) Style Jack		\$7	\$ _____			
	<b>-C12</b>	RJ12 (6 pin) Style Jack		\$7	\$ _____			
	<b>-C22</b>	RJ22 (4 pin) Style Jack		\$12	\$ _____			
<b>Optional Test &amp; Balance</b>								
	<b>-TB</b>	Three Position Switch - "Low" & "High" values vary, "Normal" is live sensor value. Call for details.		\$7.50	\$ _____			
<b>Connection Configuration</b> <i>Must select one</i>								
	<b>-CG</b>	Common Ground						
	<b>-DF</b>	Differential Inputs						
<b>Optional Copla White Enclosure (Warm White is Standard)</b>								
	<b>-CPW</b>	Copla White Enclosure Color						
<b>EXAMPLE</b>								
<b>BA/</b>	<b>10K-2</b>	<b>-B</b>	<b>25L1</b>	<b>-J</b>	<b>-C35</b>	<b>-CG</b>	<b>Total =</b>	<b>\$ _____</b>
Example Part Number: BA/10K-2-B25L1-J-C35-CG								
<b>Your Part Number:</b>								

\* The 100[3W] sensor is not available with Setpoint, Override, Communication jack or Test & Balance switch options.

Call BAPI if you have questions about the above ordering/pricing grid or the configuration of the product you are ordering.

