



Features & Options

- Patented BAPI Enclosure
- Humidity Only or Temp./Humidity Combo
- Optional Display
- 2% RH Accuracy
- Optional Temp. Setpoint and Override
- Optional Communications Jack
- Wide Selection of Temperature Sensing Elements
- Full-range Temperature Compensation of RH Signal
- Two Year Warranty



BAPI-Stat 2 Style Units (with and without Display)

The BAPI-Stat 2 Style room unit is available as a humidity only sensor or as a combination temperature and humidity sensor with optional display, temperature setpoint adjustment and occupant override. It is available with the entire line of BAPI temperature sensors.

If a temperature transmitter and humidity transmitter are desired, see the "X-Combo" Unit on page B12.

For detailed specs on the individual Temperature Sensors, turn to the "Sensors" section.

The **BAPI-Guard**

- Prevents Tampering and Unauthorized Adjustment
- Exceptional Airflow for Proper Thermostat Operation
- Available in Two Sizes



(See Accessories for more info.)

Specifications

Power: 10 to 35 VDC for 4 to 20 mA Output
 10 to 35 VDC for 0 to 5 VDC Output
 15 to 35 VDC for 0 to 10 VDC Output
 12 to 24 VAC for 0 to 5 VDC Output (requires a separate pair of shielded wires)
 15 to 28 VAC for 0 to 10 VDC Output (requires a separate pair of shielded wires)

Power Consumption:

20 mA max. for 4 to 20 mA Output
 4 mA max. for 0 to 5 VDC and 0 to 10 VDC Output
 0.1 VA max. for 0 to 5 VDC and 0 to 10 VDC Output

RH/Temp Sensor Construction: Communicating Integrated Circuit

Humidity: Capacitive Polymer,
 $\pm 2\%$ RH (10% to 90%) @25°C, Fully Compensated

Temperature: Semi-conductor Band Gap, $\pm 0.3^\circ\text{C}$ @ 25°C

Field Calibration Adjustment:

Potentiometer: $\pm 5\%$ in 0.1% increments (Factory Calibrated)

Wiring: 2 to 6 pair of 16 to 22 AWG*

Mounting: Standard 2"x4" J-box or drywall mount, screws provided

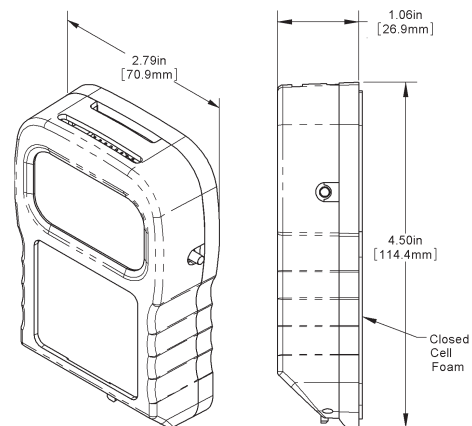
Environmental Operation Range:

Temperature: 32 to 122 °F (0 to 50 °C)

Humidity: 0 to 95%, non-condensing

Material: ABS Plastic

Material Rating: UL 94, V-0



*BAPI recommends that you do not run wiring for the room units in the same conduit as line voltage wiring or with wiring used to supply highly inductive loads such as motors, generators and coils.





Rev. 07/24/13

BAPI-Stat 2™ Style Units

B7

Humidity & Combination Temp/Humidity Sensors

Ordering Grids without List Prices are available on our website at www.bapihvac.com

Ordering Information										List Price	Your Order	
BA/ BAPI-Stat 2 Style Room Unit, Humidity only or Temp./Humidity Combo												
Sensor Type Skip if not required Use the designator number (shown to the left in bold) to indicate the sensor												
#	THERMISTORS					RTDs					Thermistors	
	1.8K	1.8K Ω @ 25 °C				100	100 Ω Platinum @ 0 °C, .385 Ω/°C temp. coeff.				\$18 Each	\$ _____
	3K	3K Ω @ 25 °C				1K [375]	1K Ω Platinum @ 0 °C, 3.75 Ω/°C temp. coeff.					
	3.25K	3.25K Ω @ 25 °C (T30 type)				1K	1K Ω Platinum @ 0 °C, 3.85 Ω/°C temp. coeff.				RTD's	
	3.3K	3.3K Ω @ 25 °C				2K	2K Ω Silicon @ 20 °C, 8 Ω/°C temp. coeff.				\$25 Each	\$ _____
	10K-2	10K Ω @ 25 °C				SEMICONDUCTORS						
	10K-3	10K Ω @ 25 °C				334	LM334 Semiconductor				Semi-conductors	
	10K-3[11K]	5,238 Ω @ 25 °C				592	AD592 Semiconductor, 273 μA @ 0 °C				\$25 Each	\$ _____
	20K	20K Ω @ 25 °C										
	50K	50K Ω @ 25 °C										
100K	100K Ω @ 25 °C											
Humidity Transmitter Must select one												
H220 ±2% Humidity Transmitter, 4-20 mA output*										\$260	\$ _____	
H205 ±2% Humidity Transmitter, 0 to 5 VDC output										\$260	\$ _____	
H210 ±2% Humidity Transmitter, 0 to 10 VDC output										\$260	\$ _____	
H212 ±2% Humidity Transmitter, 2 to 10 VDC output										\$260	\$ _____	
Enclosure Style Must select one												
-B BAPI-Stat 2 Style Enclosure												
LCD Display Must select one												
D LCD Display										\$35	\$ _____	
X No LCD Display												
°F or °C Display Mode Must select one if ordering a unit with a display												
F Temperatures Displayed in °F												
C Temperatures Displayed in °C												
Setpoint Display Options Skip if not required												
#	Desired Range	Designator	Desired Range	Designator								
	-2 to +2	P	60 to 80 °F or 15 to 27 °C	E								
	-3 to +3	A	65 to 80 °F or 18 to 27 °C	F								
	-5 to +5	B	70 to 74 °F or 21 to 23 °C	L								
	50 to 90 °F or 10 to 32 °C	C	45 to 96 °F or 7 to 36 °C	G								
55 to 85 °F or 13 to 30 °C	D	<i>See pg 13 for Additional Setpoint Display Ranges</i>										
Setpoint Output Value Range Skip if not required												
#	Desired Range	Designator	Desired Range	Designator								
	674 to 274 Ω	23	15 to 5 kΩ	61								
	800 to 1200 Ω	25	0 to 20 kΩ	80								
	909 to 1309 Ω	26	4.75 to 24.75 kΩ	81								
	1800 to 2200 Ω	27	6.19 to 26.19 kΩ	82								
	0 to 1 kΩ	40	7.87 to 27.87 kΩ	83								
	500 to 1500 Ω	41	10 to 30 kΩ	84								
	2 to 3 kΩ	42	0 to 100 kΩ	90								
0 to 10 kΩ	60	0 to 5 V**	00									
<i>See App. Notes pg 12 for Additional Setpoint Ranges</i>												
SETPOINT LEGEND (insert Designator #)												
Legend Range	Designator	Legend Range	Designator									
5-30 C	L1	65-80 F	L4									
55-85 F	L2	COOL/WARM	L6									
60-85 F	L3	WARM/COOL	L7									
		No Legend	L0									
Override Configuration Must select one												
-J Override as a Separate Output. (Dry contact only, not intended to switch a load)										\$5	\$ _____	
-N Override in Parallel (//) with Sensor										\$5	\$ _____	
-P Override in Parallel (//) with Setpoint: NOT available on voltage setpoint models										\$5	\$ _____	
-Z No Override. (Needed if no override is required)										\$0	\$ _____	
Optional Communication Jack Mounted in unit's base												
-C11L RJ11 (4 pin) Style Jack with Leads										\$20	\$ _____	
-C11LT RJ11 (4 pin) Style Jack with Leads and Terminal Block										\$20	\$ _____	
-C35L 3.5 mm Phono Jack w/ Leads Attached										\$10	\$ _____	
-C35LT 3.5 mm Phono Style Jack with Leads and Terminal Block										\$10	\$ _____	
Optional Test and Balance Switch												
-TB Three Position Switch - "Low" & "High" values vary, "Normal" is live sensor value, call for details.										\$7.50	\$ _____	
Connection Configuration Must select one, default is common ground												
-CG Common Ground												
-DF Differential Inputs (only with resistive setpoint)												
EXAMPLE												
BA/	10K-2-	H220	-B	D	F	-C	80L6	-J	-C35L	-TB	-CG	
Example Part Number: BA/10K-2-H220-BDF-C80L6-J-C35L-TB-CG											Total =	\$ _____
Your Part Number:												

*DC input voltage is required for current output.

**Common Ground Model Only

Call BAPI if you have questions about the above ordering grid or the configuration of the product you are ordering.



Building Automation Products, Inc. • 750 North Royal Avenue, Gays Mills, WI 54631 USA

Tel: +1-608-735-4800 • Fax: +1-608-735-4804 • Email: sales@bapihvac.com • Web: www.bapihvac.com

