

**Thermowell Sizes and Types:**

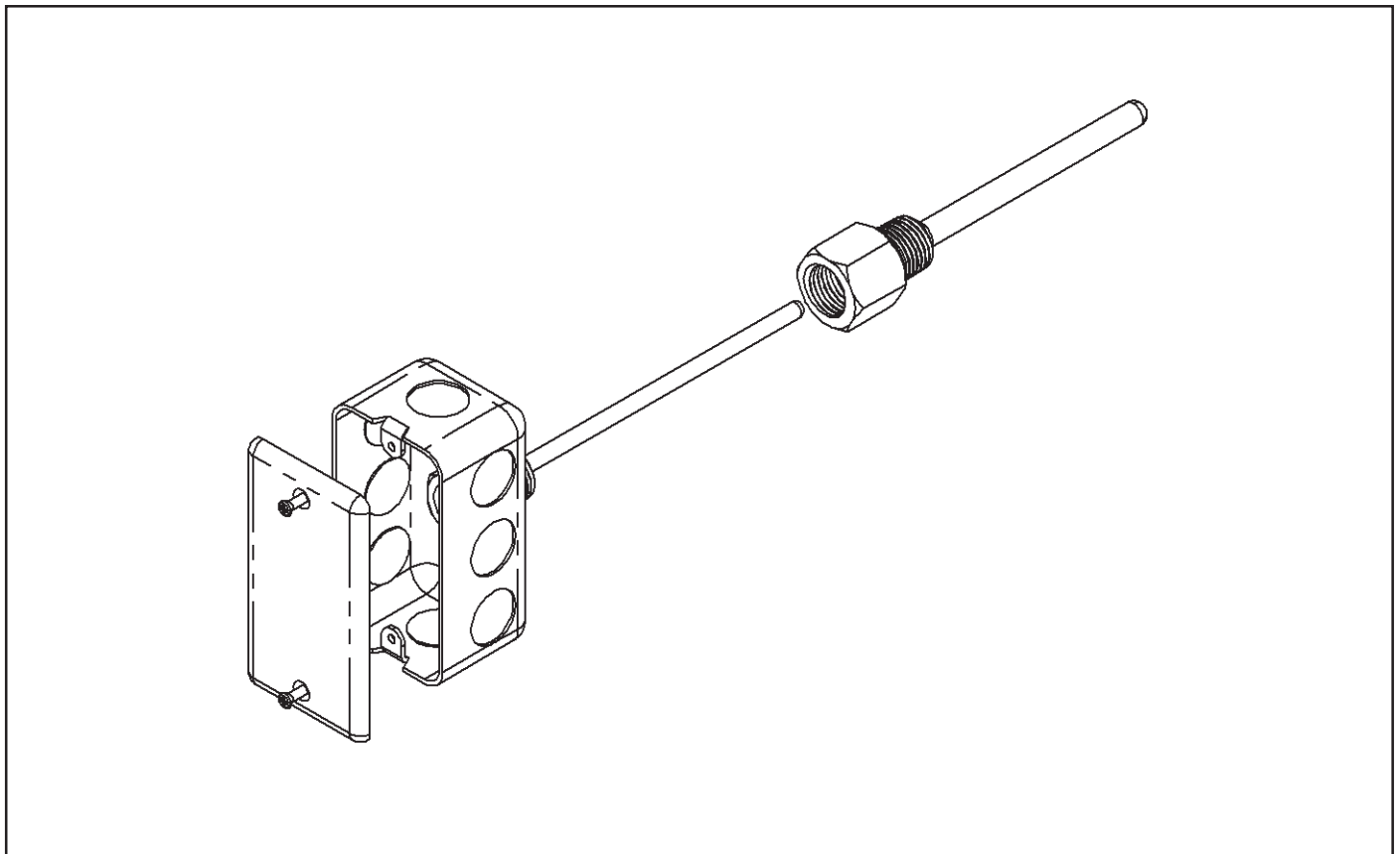
<u>Standard Sizes</u>	<u>Types</u>
2.5", 4.5", 7.5"	Machined Brass
	Stainless Steel, 304 and 316
	Stainless Steel Two(2) Part
	3/4" External Threads Available

**Note:** Other sizes can be ordered as specialty items, please contact your BAPI representative for details.

**Mounting**

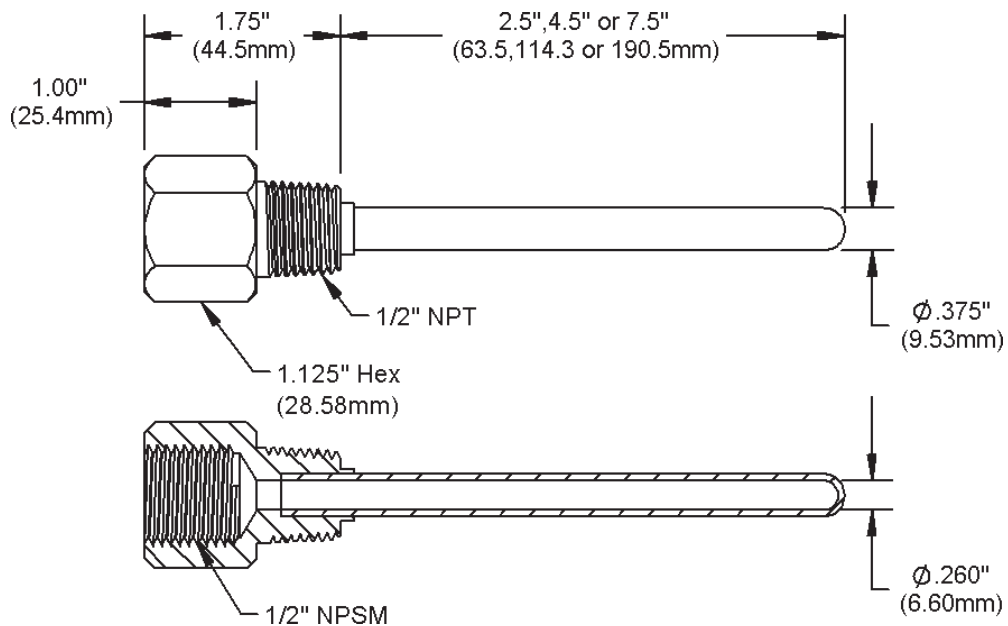
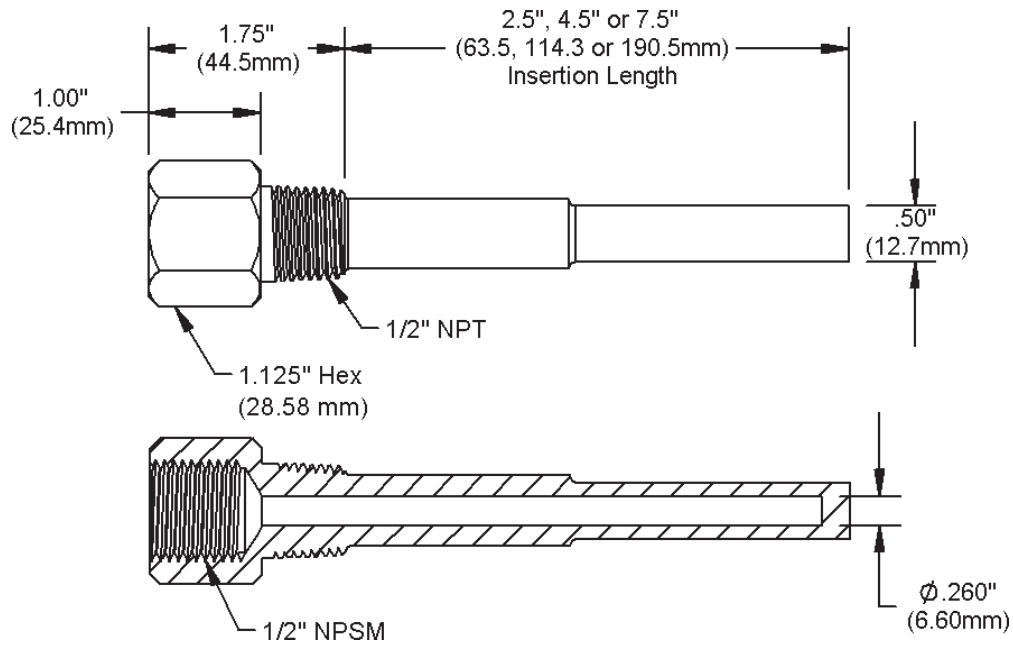
The thermowells are designed to connect the 1 1/8" hex nut to the immersion fitting on the unit.

**DO NOT OVERTIGHTEN** or damage to the fitting may occur.



Specifications subject to change without notice.

## Thermowell Dimensions



Specifications subject to change without notice.