

Product Identification

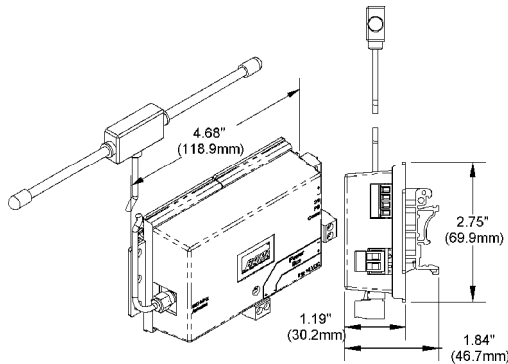


Figure 1: 900 MHz Receiver and Extensible Antenna

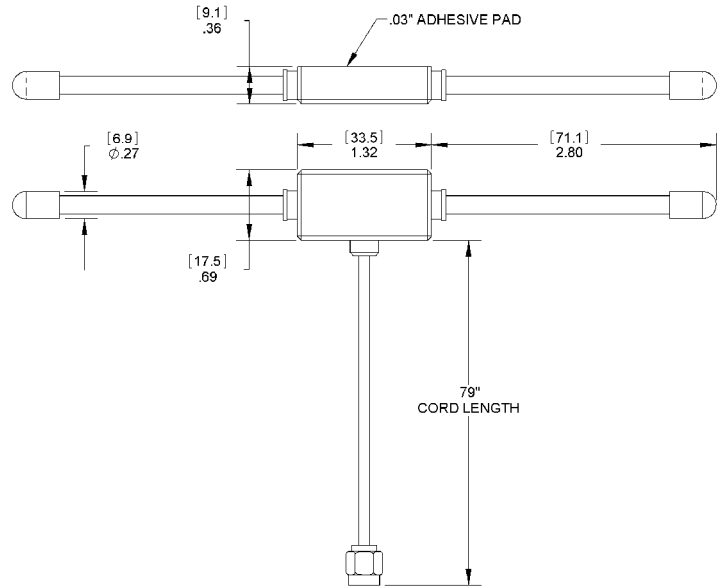


Figure 2: 900 MHz Extensible Antenna

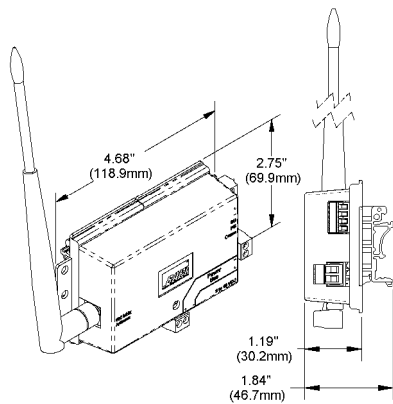


Figure 3: 900 MHz Receiver and 1/2 Wave Antenna

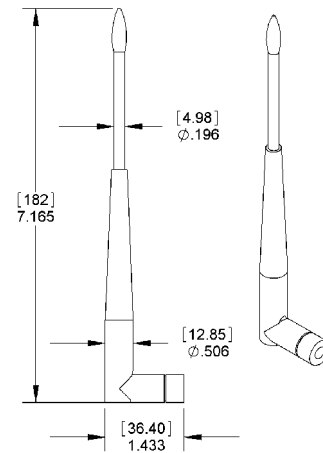


Figure 4: 900 MHz 1/2 Wave Antenna

Mounting & Terminations

Screw the antenna to the receiver as shown in Figure 1 or Figure 3. The receiver may be inside a metal enclosure but the antenna must be outside the enclosure.

Peel off the protective film from the adhesive pad on the extensible antenna and stick the antenna to a wall or other non-metallic support. There must be a non-metallic "line of sight" from all the transmitters to the antenna. Acceptable "line of sight" includes walls made from wood, sheet rock or plaster with non-metallic lathe. Mounting the antenna on a metal surface will cut off reception from behind the surface. Frosted windows may block reception too.

A wooden or plastic furring strip attached to a ceiling beam makes a great mount. The extensible antenna may be hung from any ceiling fixture using fiber or plastic twine, do not use wire. Do not use perforated metal strapping, commonly called plumbers tape.

Specifications

Frequency 900 MHz

Specifications subject to change without notice.