

Air Quality Sensors

Rev. 01/03/12

Features & Options

- Automatic Air Pressure and Temperature Compensation
- Optimized for Continuously Occupied Areas

The BAPI "24/7" CO₂ Sensor in the BAPI-Stat 4 Enclosure is an accurate and reliable way of incorporating demand controlled ventilation into a building's HVAC strategy. It measures the CO₂ in a range of 0 to 2,000 ppm with a field selectable output of 0 to 5 or 0 to 10 VDC.

The non-dispersive infrared (NDIR) technology of the "24/7" unit has been optimized for areas that are continuously occupied. It features a dual-channel optical system and three-point calibration process for enhanced stability, accuracy and reliability.

The BAPI unit also has continuous automatic air pressure compensation. Air pressure changes from altitude or weather patterns can affect the output of CO₂ sensors, even putting them outside of their specified accuracy. The BAPI unit has a built-in barometric sensor that continuously compensates the output for accurate readings despite the weather or the altitude of the installation. Because of this feature, the BAPI CO₂ sensor received a 2012 AHR Expo Innovation Award.

Optional indication of the CO₂ level as "Good, Fair or Poor" is available as a three-color LED on the front of the unit.



"24/7" CO₂ Sensors in the BAPI-Stat 4 Enclosure

The bottom unit has the CO₂ Level of "Good, Fair or Poor" shown by a 3-color LED.

Specifications

Power:

12 to 30 VAC, 1.8 VA avg, 12 VA peak
12 to 24 VDC, 30 mA avg, 200 mA peak

Sensing Elements:

CO₂ – Dual Channel Non-Dispersive Infrared (NDIR)

Selectable Output: 0 to 2,000 PPM CO₂

0 to 5 VDC or 0 to 10 VDC

Termination: 3 Terminals, 16 to 22 AWG

Wiring: 2 Pair

Operating Environment:

32 to 122°F (0 to 50°C)
0 to 95%RH non-condensing

Enclosure Material:

ABS Plastic, Material Rated UL94V-O

CO₂ Detection Range: 0 to 2000 ppm

Start-Up Time: 10 Minutes

Response Time:

Less Than 5 Minutes (after Start-Up Time)

Mounting: 2"x4" J-Box or drywall – screws provided

CO₂ Accuracy: 75ppm

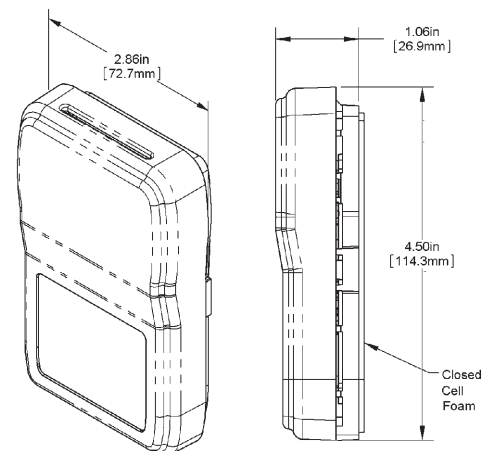
Optional LED CO₂ Level Indicator:

Good, Green < 1,000 PPM
Fair, Orange = 1,000 to 1,500 PPM
Poor, Red > 1,500 PPM

Certifications: RoHS

Warranty Period:

2 Years from manufacture date



"24/7" CO₂ Sensor in the BAPI-Stat 4 Enclosure



"24/7" CO₂ Room Sensor, BAPI-Stat 4 Enclosure

D15*Air Quality Sensors*

Rev. 01/03/12

Ordering Information CO "24/7" Room Sensor in the BAPI-Stat 4 Enclosure for Continuously Occupied Areas			
BA/BS4			
	CO₂ Output		
	-DCD05	CO ₂ as 0 to 2,000 PPM, 0 to 5 VDC output, Dual Channel Calibration for buildings that are continuously occupied	
	-DCD10	CO ₂ as 0 to 2,000 PPM, 0 to 10 VDC output, Dual Channel Calibration for buildings that are continuously occupied	
		CO₂ Level Indication (Must select one)	
	-LED	Green/Orange/Red LED on Logo Plate to Indicate CO ₂ PPM Level. Includes Legend for Good, Fair and Poor.	
	-BNK	No LED, No Legend	
EXAMPLE			
BA/BS4	-DCD05	-LED	
Example Part Number: BA/BS4-DCD05-LED			
Your Part Number:			

Call BAPI if you have questions about the above ordering/pricing grid or the configuration of the product you are ordering.