

BAPI Screwdriver & Allen Wrench Combinations



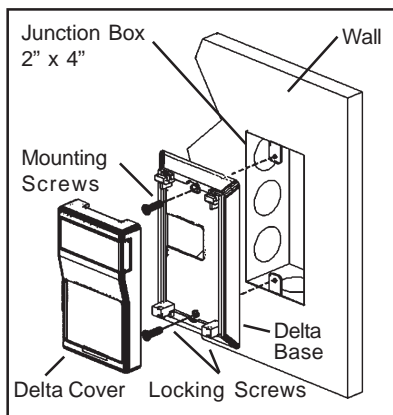
BAPI 6.75" Screwdriver & Allen Wrench Combination BA/116W (top) and the 6" Screwdriver & Allen Wrench Combination BA/116 (bottom)

<u>PART NUMBERS</u>	<u>DESCRIPTION</u>	<u>LIST PRICE</u>
BA/116W	BAPI 6.75" Screwdriver & Allen Wrench Combination	\$20
BA/116	BAPI 6" Screwdriver & Allen Wrench Combination	\$5

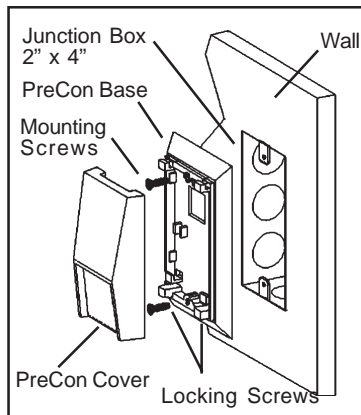
Gray shaded items follow the Buy and Resale Multiplier.

Allen Wrench Locking Screw Locations for Room Units

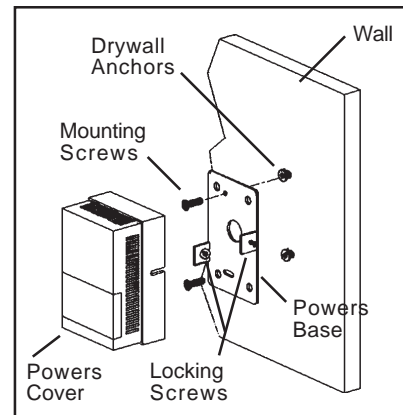
The figures below show the location of the locking screws on each of the room unit enclosures. The BAPI Screwdriver can be used with all three enclosures. For the Delta and PreCon style enclosures, simply snap the cover in place and turn the locking screws counterclockwise with the allen wrench, backing them out to lock the cover in place. For the Powers style, snap the cover in place and then turn the locking screws clockwise with the allen wrench until the screws are snug against the cover.



Delta Style Enclosure



PreCon Style Enclosure



Powers Style Enclosure