

Many times you need to measure the temperature of the contents of a small pipe.

Figure 1 shows how a pipe tee can be used in an elbow application. A 2-inch tee and a ½ inch to 2-inch bushing allows a 4-inch thermowell to measure the temperature of the contents of a 2-inch water pipe. Temperatures in pipes as small as 1-1/4 inch may be measured by this method. In small pipes the diameter of the thermowell may become a significant obstruction, be sure to check for proper flow rates.

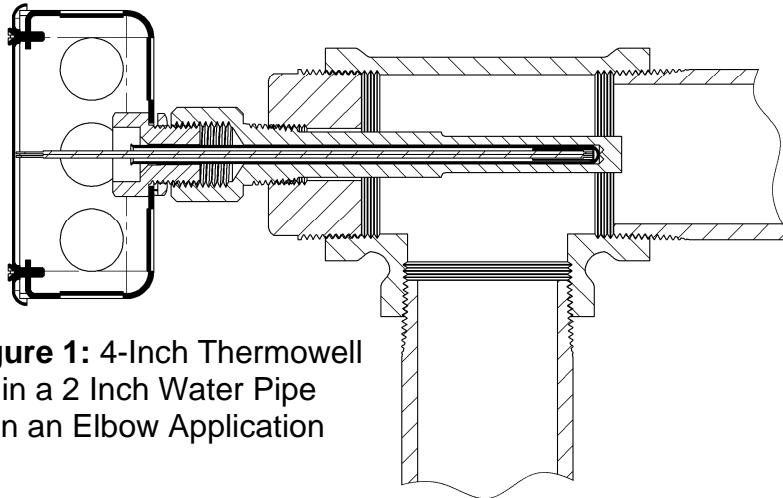


Figure 1: 4-Inch Thermowell
in a 2 Inch Water Pipe
in an Elbow Application

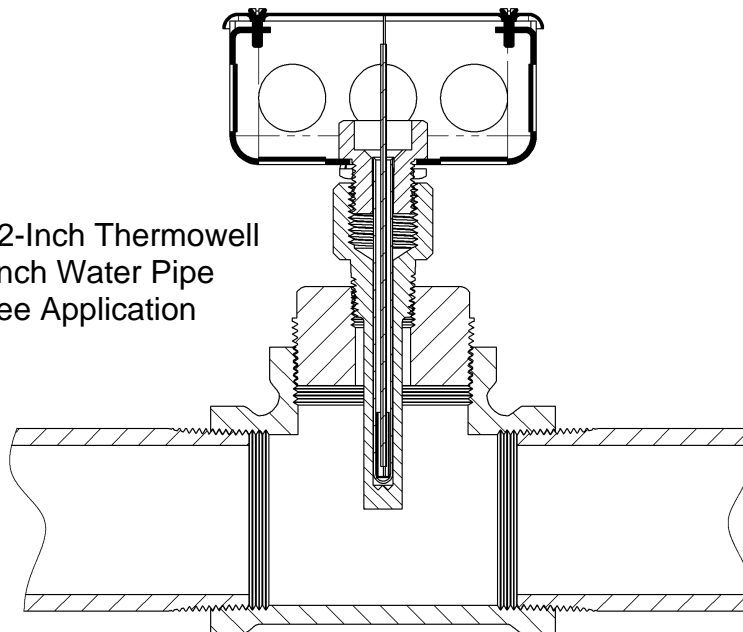


Figure 2: 2-Inch Thermowell
in a 2-Inch Water Pipe
in a Tee Application

Alternatively, Figure 2 shows how a 2-inch tee and a ½ inch to 2-inch bushing allows a 2-inch thermowell to measure the temperature of the contents of a 2-inch water pipe.