

Rev. 01/05/11

Features & Options

- Extends Transmitter Range to 1,000 Feet

The BAPI Repeater receives the 418 MHz RF signal from one or more wireless temperature or humidity transmitters which have a range of 100 feet. The Repeater re-transmits the signal at 900 MHz to a distance of 1,000 feet to a BAPI 900 MHz Receiver.

The 900 MHz Receiver then outputs the values to any Analog Output Module through a four-wire bus. The Analog Output Module converts the signal to an analog voltage, current or resistance for the controller. The 900 MHz Receiver can accommodate up to 127 different Analog Output Modules. The Repeater is surface, snaptrack or din rail mountable with an attached 900 MHz antenna and a 79" 418 MHz extendable antenna.



PART #S: BA/RPT49-EZ - 418 to 900 MHz Repeater

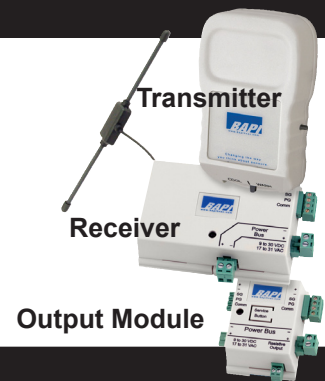
BA/RPT49-EA-EZ - 418 to 900 MHz Repeater with Extendable Antenna Replacement

Replacement Antennas pg. H34

See end of Section H for list pricing.

Associated Products

- **Wireless Temperature or Temp/Humidity Transmitter:** Measures the room temperature and/or humidity and transmits the data through 418MHz RF to a receiver.
- **900 MHz Receiver:** Receives the re-transmitted signal signal from the Repeater and outputs the values up to an Analog Output Modules.
- **Analog Output Modules:** Converts the signal from the Receiver into a Resistance, Voltage or Current for sending to the controller.



Specifications for the Wireless Repeater

Supply Power: 9 to 15 VDC

Power Consumption: 150 mA max. DC

Inputs: 418MHz

Output: 900MHz at 100mW

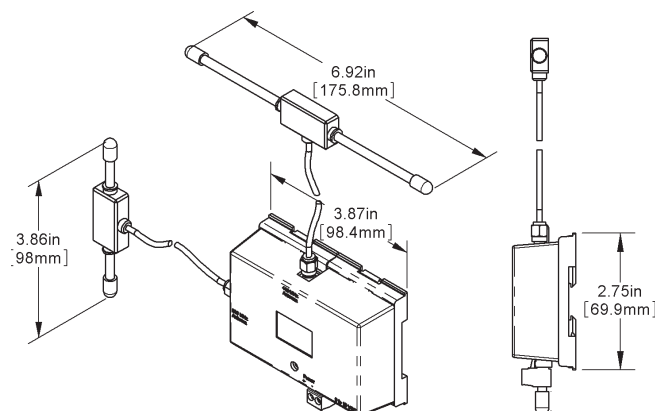
Environmental Operation Range:

Temp: 32°F to 140°F (0°C to 60°C)

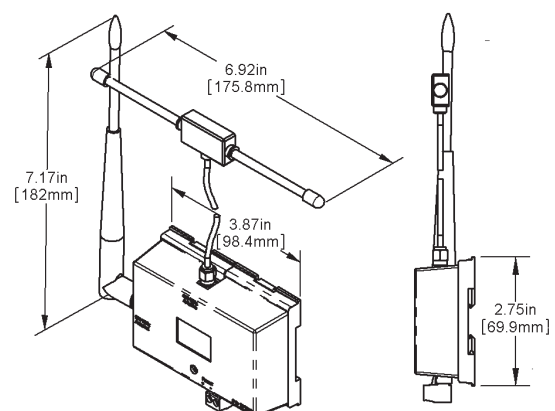
Humidity: 5% to 95% RH non-condensing

Material: ABS Plastic

Material Rating: UL94, V-0



Repeater with Extendable Antenna



Repeater with Attached Antenna