

Rev. 08/06/07

## Features & Options

- 8 Year Battery Life (with two 3.6V lithium batteries, full AA size)
- 100 foot range, extendable to 1,000 feet with Repeater
- Transmitted signals can be converted to Voltage, Current or Resistive Outputs for the Controller
- Plenum Rated Cable or FEP Jacketed Cable
- Double Encapsulated Probe Sensor
- 2 Year Warranty

**Wireless Remote Probe Transmitter**

BAPI Wireless Remote Probes feature a 1.75" long stainless steel probe with either Plenum-Rated Cable or FEP-Jacketed Cable and a watertight BAPI-Box Enclosure. Standard lead lengths are 18", 5', 10', 15', 20', and 25'. Remote Probes are commonly used in refrigerated case or strap-on applications. They are ideal for hard-to-access areas or for applications where the usual Immersion or Duct Sensors do not fit well. Additional cable options, lead lengths and probe styles are available upon request.

The Wireless Remote Probe Transmitter measures the temperature and transmits the data through 418MHz RF to a receiver. It has a minimum in-building range of 100 feet and an estimated battery life of 8 years using two high-capacity 3.6V lithium batteries with a transmit rate of about once every 10 seconds. Each transmitter has a unique address with built in error detection. Each variable sent by the transmitter is picked up by the receiver and converted by a BAPI Analog Output Module to a voltage, current or resistance signal which is sent to the controller. The unit can be set up to trigger an alarm on the controller when the batteries need replacing.

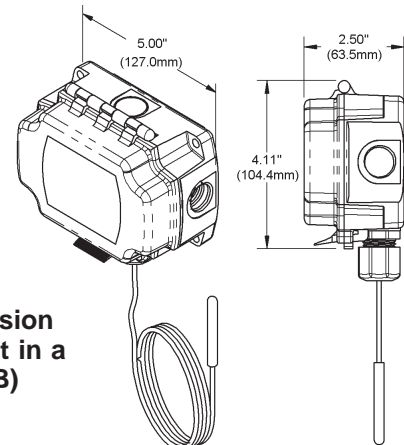
- BA/WT-RPP-5'** ..... Remote Probe, Plenum Rated Cable - 5' Leads
- BA/WT-RPP-10'** ..... Remote Probe, Plenum Rated Cable - 10' Leads
- BA/WT-RPP-15'** ..... Remote Probe, Plenum Rated Cable - 15' Leads
- BA/WT-RPP-20'** ..... Remote Probe, Plenum Rated Cable - 20' Leads
- BA/WT-RPP-25'** ..... Remote Probe, Plenum Rated Cable - 25' Leads
- BA/WT-RPFEP-5'** ..... Remote Probe with FEP Jacketed Cable - 5' Leads
- BA/WT-RPFEP-10'** ..... Remote Probe with FEP Jacketed Cable - 10' Leads
- BA/WT-RPFEP-15'** ..... Remote Probe with FEP Jacketed Cable - 15' Leads
- BA/WT-RPFEP-20'** ..... Remote Probe with FEP Jacketed Cable - 20' Leads
- BA/WT-RPFEP-25'** ..... Remote Probe with FEP Jacketed Cable - 25' Leads
- BA/LI3620** ..... Lithium Battery, 3.6 Volt (for Wireless Transmitters)

## Specifications

**Supply Power:** Two 3.6V Lithium batteries, 8 year battery life at 10 second transmit rate**Inputs:** Built in thermistor**Accuracy:** ±0.2 °C**Transmitted Range:** -40° to 85°C**Environmental Operation Range:**

Temp: -40°C to 85°C

Humidity: 0% to 100% RH, non-condensing

**Enclosure Rating:** IP66**Enclosure Material:** UV-Resistant Polycarbonate**Material Rating:** UL94 V-0**Radio Frequency:** 418 MHz**Transmitter Interval:** ~10 seconds**Antenna:** Built inside the enclosure**FCC Approval:** FCC ID# T4F060811TEMP**Wireless Immersion Temperature unit in a BAPI-Box (BB) Enclosure**