

Rev. 12/20/10

### Features & Options

- 8 Year Battery Life (with two 3.6 volt lithium batteries, full AA size)
- 100 Foot In Building Range, Extendable to 1,000 Feet with Repeater\*
- Transmitted signals can be converted to Voltage, Current or Resistive Outputs for the Controller
- Watertight BAPI-Box Enclosure
- Quick Response Sensor
- Light-Colored Sensor Guard
- Etched Teflon Leadwires
- 2 Year Warranty



**Wireless Outside  
Air Temperature  
Transmitter**

BAPI Wireless Outside Air Temperature Transmitters are designed to be mounted outdoors. The UV-resistant plastic shield keeps the sensor out of the sunlight and allows for excellent air circulation. The Outside Air Units come with a watertight BAPI-Box enclosure which is made of UV-resistant polycarbonate and carries an IP66 rating.

The Outside Air unit measures the temperature and transmits the data through 418MHz RF to a receiver. It has an in-building range of 100 feet\* and an estimated battery life of 8 years using two high-capacity 3.6V lithium batteries with a transmit rate of about once every 10 seconds. Each transmitter has a unique address with built in error detection. Each variable sent by the transmitter is picked up by the receiver and converted by a BAPI Analog Output Module to a voltage, current or resistance signal which is sent to the controller. The unit can be set up to trigger an alarm on the controller when the batteries need replacing.

**PART NUMBER: BA/WT-O-BB** - Wireless Outside Air Temperature Transmitter

**PART NUMBER: BA/LI3620** - Lithium Battery 3.6V

*See end of Section H for list pricing.*

### Specifications

**Supply Power:** Two 3.6V Lithium batteries, 8 year battery life at 10 second transmit rate

**Inputs:** Built in thermistor

**Accuracy:**  $\pm 0.36^{\circ}\text{F}$  ( $\pm 0.2^{\circ}\text{C}$ )

**Transmitted Range:**  $-40^{\circ}\text{F}$  to  $185^{\circ}\text{F}$  ( $-40^{\circ}\text{C}$  to  $85^{\circ}\text{C}$ )

**Enclosure Rating:** IP66

**Enclosure Material:**  
UV-Resistant Polycarbonate

**Material Rating:** UL94 V-0

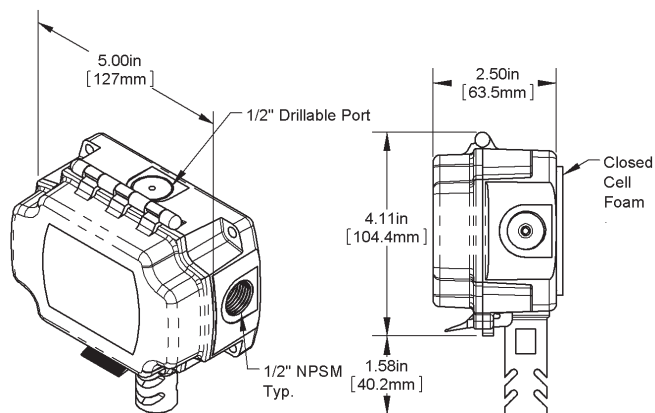
**Environmental Operation Range:**  
Temp:  $-40^{\circ}\text{F}$  to  $185^{\circ}\text{F}$  ( $-40^{\circ}\text{C}$  to  $85^{\circ}\text{C}$ )  
Humidity: 0 to 100% RH

**Radio Frequency:** 418 MHz

**Transmitter Interval:** ~10 seconds

**Antenna:** Built inside the enclosure

**FCC Approval:** FCC ID# T4F060811TEMP



\*Actual in-building transmission distances will vary depending upon building construction and other factors.