

Rev. 01/05/11

Features & Options

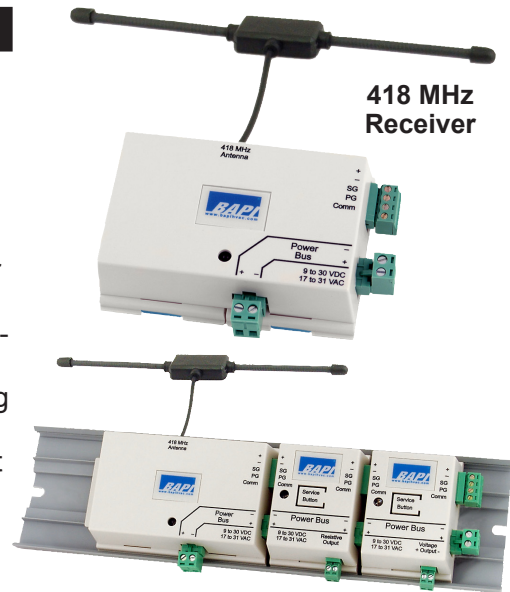
- 100 Foot Range
- Extendable Antenna for Optimum Reception
- Surface, Snaptrack or Din Rail Mounting
- Can Accommodate Up To 127 Analog Output Modules

The BAPI 418 MHz unit receives the RF signal from one or more wireless temperature or humidity transmitters which have a range of 100 feet. The receiver then outputs the values to any Analog Output Module through a four-wire bus. The Analog Output Module converts the signal to an analog voltage, current or resistance for the controller. The receiver can accommodate up to 127 different Analog Output Modules. It is surface, snaptrack or din rail mountable with a 79" extendable antenna for optimum reception.

PART NUMBERS:

BA/RCV418-EZ - 418 MHz Receiver
Replacement Antennas pg. H34

See end of Section H for list pricing.



418 MHz Receiver with two Analog Output Modules mounted in 2.75" snaptrack

Associated Products

• Wireless Temperature or Temp./Humidity Transmitter

Measures the room temperature and/or humidity and transmits the data through 418MHz RF to a receiver. The 1 mW transmitter is mounted in a BAPI-Stat 2 style enclosure and has an open-air range of 100 feet.

• Analog Output Modules:

Converts the signal from the Receiver into a Resistance, Voltage or Current for sending to the controller.

• Repeater

Extends the range of the Transmitter up to 1,000 feet.

Wireless Transmitter

Wireless Receiver

Output Module

Specifications for the 418 MHz Receiver

Supply Power: 9 to 30 VDC or 17 to 31 VAC

Power Consumption: 20 mA max. DC, .5 VA max AC

Inputs: 418MHz

Bus Cable Distance:

4,000 ft with shielded, twisted pair cable
(Belden 9841, Belden 8132 or equivalent)

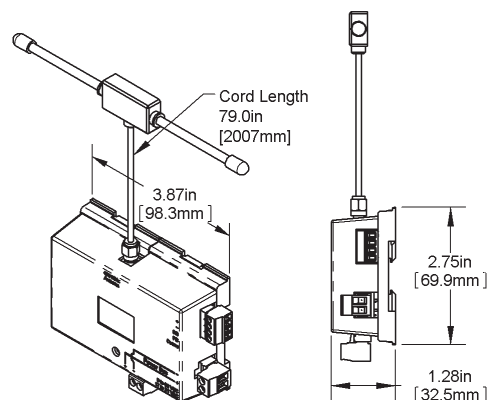
Maximum Output Modules per Receiver: 127

Environmental Operation Range:

Temp: 32°F to 140°F (0°C to 60°C)
Humidity: 5% to 95% RH non-condensing

Material: ABS Plastic

Material Rating: UL94, V-0



418 MHz Receiver