

Rev. 02/11/08

## Features & Options

- Compact and Cost Effective
- Regulated and Adjustable 1.2 VDC to 24 VDC Output
- Output Protected Against Overload and Accidental Short Circuit

BAPI's VC3000 Voltage Converters are accurate, rugged and reliable power sources designed for commercial energy management applications.

The 2.5 Amp Voltage Converter accepts a 24 VAC input which can be field adjusted to a regulated output of 1.2 VDC to 24 VDC (factory set for 24 VDC). The input can be jumper selected for full or half wave rectification. The unit includes an output fuse to protect against overload and short circuits, a power indication LED, and is available with or without a backplate on the steel mounting bracket.



**VC3000B Voltage Converter  
(The "B" model includes the  
Backplate)**

## Specifications

**Input Voltage Range:**

24 VAC (VC3000 A and B)

**Fuse Protection:**

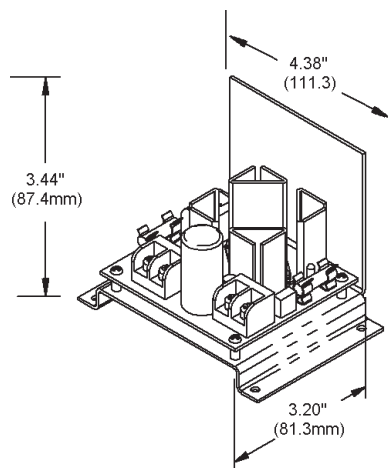
VC3000A and B: 4 Amp, output side

**Output Voltage Range:**

1.2 VDC to 24 VDC

**Maximum Output Current:**

2.5 Amps

**Operating Range:** 40 to 158 °F**Wiring:** 16 to 22 AWG

**VC3000B Voltage Converter  
(shown with optional backplate)**

## Ordering Information

**BA/VC3000A-HW**

2.5 Amp Voltage Converter w/o backplate, half wave rectification

**BA/VC3000A-FW**

2.5 Amp Voltage Converter w/o backplate, full wave rectification

**BA/VC3000B-HW**

2.5 Amp Voltage Converter with backplate, half wave rectification

**BA/VC3000B-FW**

2.5 Amp Voltage Converter with backplate, full wave rectification

## DISCONTINUED ITEMS IN BLUE

**BA/PS1500A-HW**

1.5 Amp Power Supply w/o backplate, half wave rectification

**BA/PS1500A-FW**

1.5 Amp Power Supply w/o backplate, full wave rectification

**BA/PS1500B-HW**

1.5 Amp Power Supply with backplate, half wave rectification

**BA/PS1500B-FW**

1.5 Amp Power Supply with backplate, full wave rectification

**BA/PS3000A-HW**

3 Amp Power Supply without backplate, half wave rectification

**BA/PS3000A-FW**

3 Amp Power Supply without backplate, full wave rectification

**BA/PS3000B-HW**

3 Amp Power Supply with backplate, half wave rectification

**BA/PS3000B-FW**

3 Amp Power Supply with backplate, full wave rectification