

Rev. 03/25/10

## Features & Options

- LCD Readout
- Works with Any 4 to 20 mA Signal
- Low Profile, Aesthetically Pleasing Enclosure
- Standard Junction Box or Drywall Mounting

This Loop Powered Indicator unit has been designed to provide local indication of any 4 to 20 mA signal (temperature, humidity, pressure, etc.). The unit can be mounted on drywall or directly to a standard 2" x 4" junction box. The unit provides LCD indication at the sensing point or may be remotely located.

*Note: Unit must be calibrated to the same range as the existing transmitter.*



**Loop Powered Indicator**

## Specifications

**Power:** Any 4-20 mA signal

**Loop Drop:** Less than 3 VDC

**Mounting:**

Standard 2" by 4" J-box or drywall mount - mounting screws provided.

**Environmental Specifications:**

Temperature: 32 to 122 °F (0 to 50 °C)

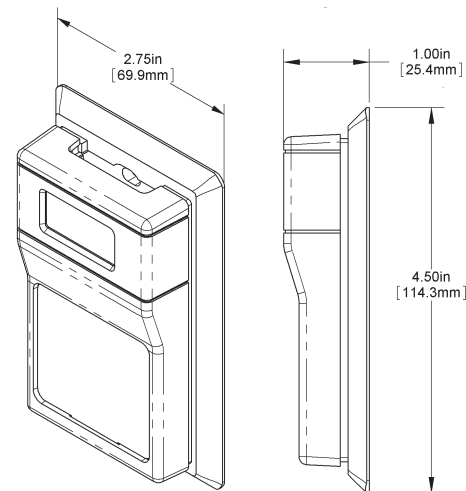
Humidity: 0 to 95%, non-condensing

**Material:** ABS Plastic

**Material Rating:** UL 94, V-0

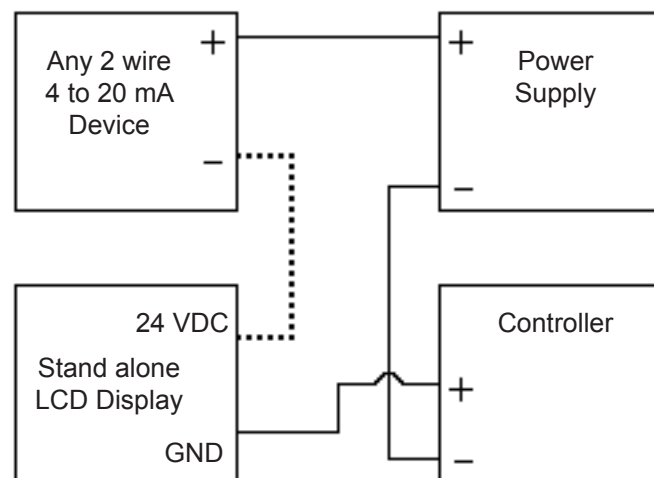
**Display Range:** -1999.5 to 1999.5

**Available Display Annunciators:** blank, %, %RH, F, C, FT, T, %C



## Termination

The diagram to the right shows a typical installation using a stand alone LCD display with a separate, two (2) wire 4 to 20 mA device. The LCD would be calibrated to display the desired range and could be mounted at the sensing point or remotely.



## Ordering Information

**Part Number**

**BA/LPI[\*range]-R**

**Description**

Stand alone LCD Display in a Delta style enclosure

*See end of Section E for list pricing.*

*\*Note: Unit must be calibrated to the same range as the existing transmitter.*