

Accessories

Rev. 08/24/11

Features & Options

- Prevents Tampering, Damage and Unauthorized Adjustment
- Exceptional Airflow for Proper Thermostat Operation
- Made from Thick, Durable Polycarbonate
- Key Lock Protected
- Low Profile, Compact Design
- Two Sizes to Fit Most Thermostats
- Horizontal or Vertical Mounting with Hardware Included

The BAPI-Guard prevents tampering, physical damage and unauthorized adjustment of thermostats. The attractive, low-profile design is available in two sizes to fit most thermostats. It is made of thick, durable polycarbonate and features exceptional airflow, key lock protection, horizontal or vertical mounting and easy installation with hardware included.



BAPI-Guard 2 Mounted Over a Thermostat

PART NUMBERS

- BA/BG**Larger BAPI-Guard Thermostat Protector
BA/BG2Smaller BAPI-Guard 2 Thermostat Protector
BA/KEY16187Replacement Key for BAPI-Guard and BAPI-Guard 2

See end of Section E for list pricing.

Specifications

Material: Polycarbonate

Material Rating: UL 94, V-0

The BAPI-Guard fits these common thermostats

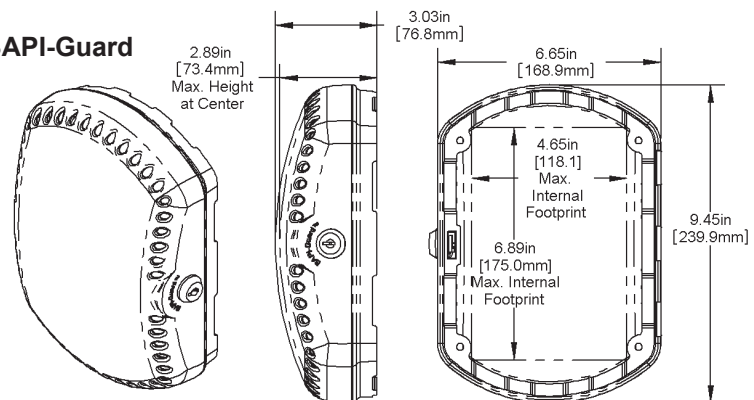
BAPI-Stat and BAPI-Stat 3
 Honeywell T7300, T7350, T7560,
 T7770 and T7790 Series
 Johnson Controls Metastat

The BAPI-Guard 2 fits these common thermostats

Delta Style Enclosure
 BAPI-Stat 2 and BAPI-Stat 4
 Powers & PreCon
 Automated Logic RS Series
 York Zone Sensor
 Invensys MN series

If you have a question about whether the BAPI-Guard or BAPI-Guard 2 will fit a specific thermostat, please call BAPI.

BAPI-Guard



BAPI-Guard 2

