

C12 Zone Pressure Pickup Ports

Zone Pressure Sensors (ZPS)

Rev. 12/15/10

Wall & Ceiling Pressure Pickup Ports & Temp./Pressure Pickup Combos

Features & Options

- Economical & Easy to Install
- Delta Style Enclosure or Stainless Steel Plate for Wall Mount
- Ceiling Mount with or without J-Box
- Connects to Zone Pressure Sensor
- 100 Micron Filter
- Accommodates 1/8" I.D. to 5/32" I.D. Tubing

The Wall Pressure Pickup Port comes standard on a brushed stainless steel plate or in a Delta Style enclosure, both sized to fit a common 2" x 4" electrical box. A foam gasket seals the plate or enclosure to the wall to insure the integrity of the measured space. The Wall Plate and Delta Style Enclosure can be used for pressure alone or as a combination temperature sensor and pressure pickup port. BAPI also offers a Ceiling Mount Cover designed to fit a standard 3/4" thick suspended ceiling tile. If additional protection is required in the ceiling, a second ceiling cover fits on a common 2" x 4" electrical box. The brass fitting on the back of all Pickup Ports accommodates standard 1/8" to 5/32" I.D. tubing.

Specifications

Environmental Operation Range:

Temp. - 32 to 122 °F (0 to 50 °C)

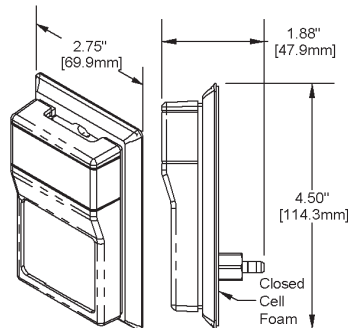
Humidity - 0% to 95% RH, non-condensing

Material:

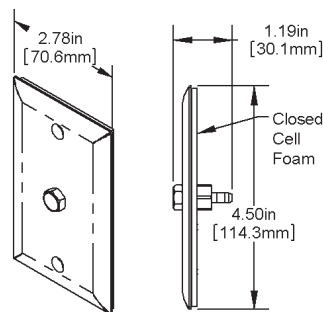
Delta Style Enclosure:

ABS Plastic, UL 94, V-0

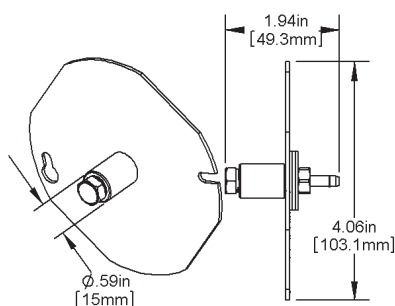
Wall Plate: Stainless Steel



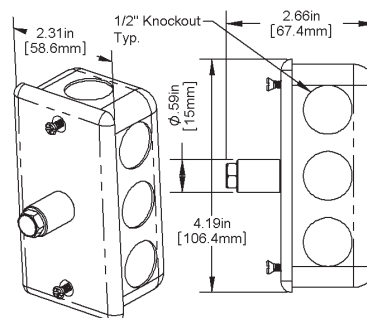
Delta Enclosure (ZPS-ACC03)



Wall Plate (ZPS-ACC01)



Ceiling Mount Cover
(ZPS-ACC05)



Ceiling Mount Cover & J-Box
(ZPS-ACC06)



Delta Style Enclosure



Wall Plate



Ceiling Mount Square Cover
(ZPS-ACC05)



Ceiling Mount Cover & J-Box
(ZPS-ACC06)



Zone Pressure Pickup Ports **C13**

Zone Pressure Sensors (ZPS)

Rev. 12/15/10

Datasheets without List Prices are available on our website at www.bapihvac.com

Pressure Pickup Ports and Probe Assemblies

Ordering Information			Pressure Pickup Ports	List Price	Your Order
ZPS					
			Pressure Pickup Type		
	-ACC	Option Description			
		01	2" X 4" Stainless Steel Wall Plate with Static Pickup	\$18	\$ _____
		02	Unassigned		
		03	Room Mount Delta Style Enclosure with Static Pickup	\$15	\$ _____
		04	Unassigned		
		05	Ceiling Mount Square Cover with Static Pickup	\$15	\$ _____
		06	Ceiling Mount Rectangular 2" X 4" Cover and Box with Static Pickup	\$17	\$ _____
EXAMPLE					
ZPS	-ACC	03			
Example Part Number: ZPS-ACC03				Total =	\$ _____
Your Part Number:					

Combination Static Pressure Pickup Port & Temperature Sensor

Ordering Information			Combination Pressure Pickup Port & Temp Sensors	List Price	Your Order
ZPS					
			Pressure Pickup Type		
	-ACC	Option Description			
		01	2" X 4" Stainless Steel Wall Plate with Static Pickup	\$18	\$ _____
		02	Unassigned		
		03	Room Mount Delta Style Enclosure with Static Pickup	\$15	\$ _____
		04	Unassigned		
			Temperature Sensor Type		
		-0	100 Platinum RTD, 100 Ω @ 0 °C, 0.385 Ω/°C temp. coeff.	RTD's \$25 Each	\$ _____
		-1375	1K Platinum RTD, 1,000 Ω @ 0 °C, 3.75 Ω/°C temp. coeff.		
		-1	1K Platinum RTD, 1,000 Ω @ 0 °C, 3.85 Ω/°C temp. coeff.		
		-2	2K Silicon RTD, 2,000 Ω @ 20 °C, 8 Ω/°C temp. coeff.		
		-18	1.8K Thermistor, 1,800 Ω @ 25 °C	Thermistors \$18 Each	\$ _____
		-22	2.2K Thermistor, 2,200 Ω @ 25 °C		
		-3	3K Thermistor, 3,000 Ω @ 25 °C		
		-33	3.3K Thermistor, 3,300 Ω @ 25 °C		
		-102	10K-2 Thermistor, 10,000 Ω @ 25 °C		
		-103	10K-3 Thermistor, 10,000 Ω @ 25 °C		
		-10311	10K-3(11K) Therm., 5,238 Ω @ 25 °C, 11kΩ shunt resistor		
		-20	20K Thermistor, 20,000 Ω @ 25 °C		
		-47	47K Thermistor, 47,000 Ω @ 25 °C		
		-50	50K Thermistor, 50,000 Ω @ 25 °C		
		-100	100K Thermistor, 100,000 Ω @ 25 °C		
		-334	LM334 Semiconductor	Semi-conductors \$25 Each	\$ _____
		-592	AD592 Semiconductor, 273 μA @ 0 °C		
		-592-10K	AD592 Semiconductor with a 10 kΩ shunt resistor, 2.73 V @ 0 °C		
EXAMPLE					
ZPS	-ACC	03	-102		
Example Part Number: ZPS-ACC03-102				Total =	\$ _____
Your Part Number:					

Call BAPI if you have questions about the above ordering grid or the configuration of the product you are ordering.

Ceiling Mount Pickup Installation

The Ceiling Mount pickup is designed to fit through a standard 3/4-inch thick ceiling tile. Cut a 5/8-inch hole in the tile and place the static pressure sensor on top of the tile with the filter extending through the hole. The filter should stick out slightly below the tile's room surface. Attach tubing to the barbed fitting on the back of the pickup port and run the tubing to the pressure sensor. An optional Junction Box is available for the cover to protect the barbed fitting.

