

## Features & Options

- 10 Field Selectable Pressure Ranges
- 3 Field Selectable Outputs, 4-20 mA, 0-5 or 0-10 VDC
- LCD Displays Pressure Over the Entire Operational Range Regardless of Which Individual Pressure Range is Selected
- Inches of Water Column (W.C.) or Pascal Operation
- Simple Auto-Zero and One Touch Set Up
- Snaptrack, DIN Rail or Surface Mounting
- Accommodates 1/8" I.D. to 5/32" I.D. Tubing
- Three Year Warranty



**EZ Pressure Sensor**

Measuring building pressure and air velocities or volumes doesn't get any easier than with the BAPI EZ Pressure Sensor. The revolutionary mounting system allows for 2.75" snaptrack, DIN rail or surface mounting, and the three Outputs and 10 Pressure Ranges are field selectable by simply turning the rotary switch and pressing the "Next" button. The auto-zeroing process is also very easy — simply turn the rotary switch to zero, push the button, wait for five seconds, turn the rotary switch back to your pressure range and walk away.

Besides being easy to set up and install, it is also accurate, rugged and economical. The heart of the unit is a micro-machined silicon pressure sensor. The capacitive sensor design inherently provides excellent accuracy, repeatability and stability.

The unit features a rugged NEMA 1 rated enclosure with short circuit proof outputs and reverse polarity protected inputs to perform under real world conditions.

The LCD display helps with troubleshooting because it displays the actual differential pressure over the entire operational range (-5 to +5 inches W.C. or -1,000 to 1,000 Pascals) regardless of which individual pressure range is selected for output to the system controller.

## Specifications

### Power:

7 to 45 VDC (4 to 20 mA Output)  
7 to 45 VDC or 7 to 32 VAC (0 to 5 VDC Output)  
13 to 45 VDC or 13 to 32 VAC (0 to 10 VDC Output)

### Power Consumption:

20 mA max, DC only at 4 to 20 mA Output  
4.9 mA max DC at 0 to 5 VDC or 0 to 10 VDC Output  
0.12 VA max AC at 0 to 5 VDC or 0 to 10 VDC Output

### Load Resistance:

4 to 20 mA Output 850  $\Omega$  Maximum @ 24 VDC  
0 to 5 VDC or 0 to 10 VDC output 1K $\Omega$  minimum

**Accuracy at 72°F:**  $\pm 0.25\%$  of range

**Stability:**  $\pm 0.25\%$  F.S. per year

### Environmental Operation Range:

32°F to 140°F (0°C to 60°C)

**Storage Temperature:** -40°F to 203°F (-40°C to 95°C)

### Temperature Error:

$\pm 2\%$  of Span max ( $\pm 5.0$  in W.C. @ 50°F to 104°F [10 to 40°C])

**Overpressure:** Proof 27.68 in W.C. (1 PSI),  
Burst 41.52 in W.C. (1.5 PSI)

**Wiring:** 3-wire removable terminal block  
2 wires (4-20mA Current loop)  
3 wires (AC or DC powered, Voltage out)

**Humidity:** 0 to 95% RH, non-condensing

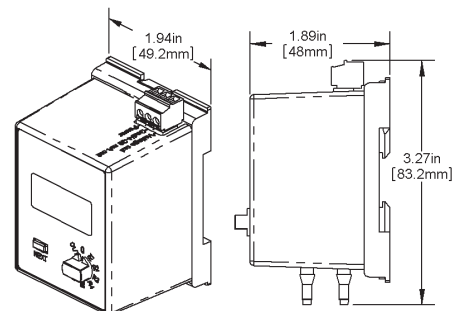
### Port Connection:

1 High Pressure & 1 Low Pressure  
for push-on 1/4-inch tubing (1/8" – 3/16" I.D.)

**Enclosure Material:** ABS Plastic, UL94, V-0

### Mounting:

DIN Rail, Snaptrack or Surface Mountable



<sup>1</sup>BAPI recommends that you do not run wiring for the pressure transmitter in the same conduit as line voltage wiring or with wiring used to supply highly inductive loads such as motors, generators, and coils.

**Note:** Mount unit with the pressure fittings on the bottom to prevent condensation from entering the sensor.

### Ordering Information (for units without a factory specified range or output)

PART NUMBER	DESCRIPTION	LIST PRICE
ZPS-SR-EZ-NT-IN	EZ Pressure Sensor, Inches of W.C. Display, No Tube or Probe included	\$320
ZPS-SR-EZ-NT-PA	EZ Pressure Sensor, Pascal Display, No Tube or Probe included	\$320
ZPS-SR-EZ-ST-IN	EZ Pressure Sensor, Inches of W.C. Display with Static Pressure Probe	\$320
ZPS-SR-EZ-ST-PA	EZ Pressure Sensor, Pascal Display with Static Pressure Probe	\$320

Note: Pressure Range and Output Range for these units will be selected in the field.

### Part numbers for units with a factory specified range or output

Ordering Information		List Price	Your Order																																												
<b>ZPS</b>		\$320	\$ _____																																												
<b>Output Range</b>																																															
-20	4 to 20 mA (7 to 45 VDC Supply ONLY)																																														
-05	0 to 5 V (7 to 45 VDC Supply or 7 to 32 VAC Supply)																																														
-10	0 to 10 V (13 to 45 VDC Supply or 13 to 32 VAC Supply)																																														
<b>Pressure Range</b>																																															
-SR(range)	Standard Pressure Ranges - replace (range) with option # shown below																																														
	<table border="1"> <thead> <tr> <th>Option</th> <th>Range (inches W.C.)</th> <th>Option</th> <th>Range (Pascals)</th> </tr> </thead> <tbody> <tr><td>71</td><td>0 to 1.00</td><td>81</td><td>0 to 250</td></tr> <tr><td>72</td><td>0 to 2.00</td><td>82</td><td>0 to 300</td></tr> <tr><td>73</td><td>0 to 2.50</td><td>83</td><td>0 to 500</td></tr> <tr><td>74</td><td>0 to 3.00</td><td>84</td><td>0 to 1,000</td></tr> <tr><td>75</td><td>0 to 5.00</td><td>85</td><td>0 to 1,250</td></tr> <tr><td>76</td><td>-1.00 to 1.00</td><td>86</td><td>-250 to 250</td></tr> <tr><td>77</td><td>-2.00 to 2.00</td><td>87</td><td>-300 to 300</td></tr> <tr><td>78</td><td>-2.50 to 2.50</td><td>88</td><td>-500 to 500</td></tr> <tr><td>79</td><td>-3.00 to 3.00</td><td>89</td><td>-1,000 to 1,000</td></tr> <tr><td>80</td><td>-5.00 to 5.00</td><td>90</td><td>-1,250 to 1,250</td></tr> </tbody> </table>	Option	Range (inches W.C.)	Option	Range (Pascals)	71	0 to 1.00	81	0 to 250	72	0 to 2.00	82	0 to 300	73	0 to 2.50	83	0 to 500	74	0 to 3.00	84	0 to 1,000	75	0 to 5.00	85	0 to 1,250	76	-1.00 to 1.00	86	-250 to 250	77	-2.00 to 2.00	87	-300 to 300	78	-2.50 to 2.50	88	-500 to 500	79	-3.00 to 3.00	89	-1,000 to 1,000	80	-5.00 to 5.00	90	-1,250 to 1,250		
Option	Range (inches W.C.)	Option	Range (Pascals)																																												
71	0 to 1.00	81	0 to 250																																												
72	0 to 2.00	82	0 to 300																																												
73	0 to 2.50	83	0 to 500																																												
74	0 to 3.00	84	0 to 1,000																																												
75	0 to 5.00	85	0 to 1,250																																												
76	-1.00 to 1.00	86	-250 to 250																																												
77	-2.00 to 2.00	87	-300 to 300																																												
78	-2.50 to 2.50	88	-500 to 500																																												
79	-3.00 to 3.00	89	-1,000 to 1,000																																												
80	-5.00 to 5.00	90	-1,250 to 1,250																																												
	<table border="1"> <thead> <tr> <th>Custom Range (W.C.)***</th> <th>Custom Range (Pascals)***</th> </tr> </thead> <tbody> <tr> <td>CI [0 to y.yy]*</td> <td>CP [0 to yyyy]**</td> </tr> </tbody> </table>	Custom Range (W.C.)***	Custom Range (Pascals)***	CI [0 to y.yy]*	CP [0 to yyyy]**	\$100 Net Add***																																									
Custom Range (W.C.)***	Custom Range (Pascals)***																																														
CI [0 to y.yy]*	CP [0 to yyyy]**																																														
<b>Enclosure Style</b>																																															
-EZ	NEMA 1 rated enclosure	\$0																																													
<b>Optional Static Pressure Probe</b>																																															
-NT	No Tube or Probe Included	\$0																																													
-ST	Static Pressure Measurement Probe Included (not attached)	\$0																																													
<b>LCD Display (See note **** below)</b>																																															
-D	LCD Display****	\$0																																													
<b>EXAMPLE</b>																																															
ZPS	-20	-SR71	-EZ	-NT	-D																																										
Example Part Number: ZPS-20-SR71-EZ-NT-D							Total =	\$ _____																																							
<b>Your Part Number:</b>																																															

\*Custom W.C. ranges must start at zero and y.yy can be any pressure between 0.10 and 5.00 inches W.C. Placing the unit into +/- places the custom range in bi-directional mode (Example Part # ZPS-20-SRCI[0.00 to 3.50]-EZ-NT-D)

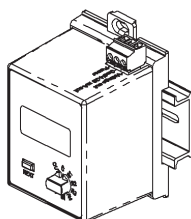
\*\*Custom W.C. ranges must start at zero and yyyy can be any pressure between 25 and 1250 Pascals. Placing the unit into +/- places the custom range in bi-directional mode (Example Part #: ZPS-20-SRCP[0 to 750]-EZ-NT-D)

\*\*\*There is a net add of \$100 for custom ranges. Multipliers do not apply to net adds. Custom Ranges include a certification of 3 points within the custom pressure range.

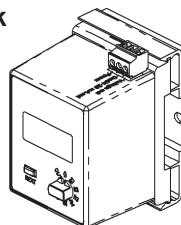
\*\*\*\*If you do not wish to view the current pressure on the display, simply leave off the "-D" in the part number. Instead of showing the current pressure, the display will show the word "on".

### Mounting Options

DIN Rail Mount



Snaptrack Mount



Screw Mount

