

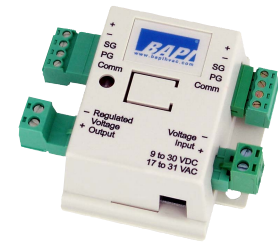


Rev. 03/13/08

Overview

The Washdown Wall Plate Power Supply (VPS) provides power to the Wall Plate Units as well as to the Analog Output Modules which convert the temperature and humidity data from the Wall Plate into a resistance, voltage or current signal for the DDC controller.

The Analog Output Modules receive the temperature or humidity data from the Washdown Wall Plate through a four-wire bus. One Power Supply can support up to 15 different Wall Plates and up to 30 different Output Modules. Each Output Module is easily trained to a specific Wall Plate signal with a pushbutton and LED. The modules are surface, 2.75" snaptrack or 35mm din rail mountable.



Washdown Wall Plate Power Supply

PART NUMBERS:

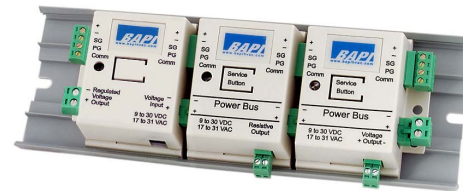
BAVPS Washdown Wall Plate Power Supply

BAVPS-35DIN Washdown Wall Plate Power Supply, 35mm Din Rail Mounting

Analog Output Modules for Washdown Wall Plate Units

The Analog Output Modules convert the Temperature or Humidity data from the Washdown Wall Plate Unit into a Resistance, Voltage or Current Signal for the DDC controller.

The Analog Output Modules are connected to a Washdown Wall Plate Power Supply and receive the temperature or humidity data through a four-wire bus. Up to 30 different Output Modules can be connected to a single Power Supply; therefore one Power Supply can power up to 15 different Wall Plates. Each Output Module is easily trained to a specific Wall Plate Unit signal with a pushbutton and LED.



Washdown Wall Plate Power Supply with two Analog Output Modules

The Analog Output Modules are surface, 2.75" snaptrack or 35mm din rail mountable. For more information on the Analog Output Modules, see the next three pages.

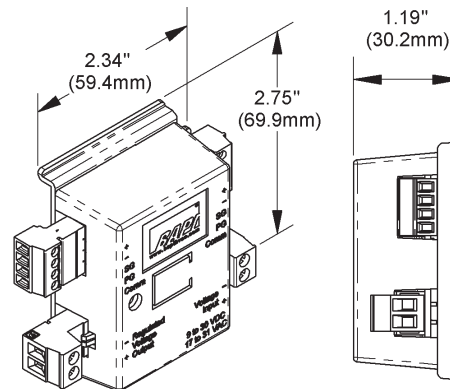
Specifications for the Washdown Wall Plate Power Supply

Power Supply Power: 9 to 30 VDC
7 to 31 VAC

Power Consumption:
10 mA max. DC with 15 Wall Plates Attached
0.6 VA max. AC with 15 Wall Plates Attached

Maximum Wall Plate Units per Power Supply: 15

Maximum Output Modules per Power Supply: 30



Washdown Wall Plate Power Supply