

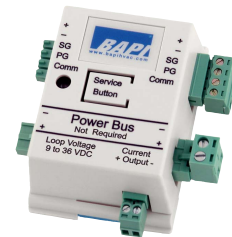
Rev. 10/27/09

## Current Output Modules (COM)

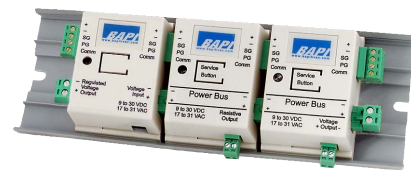
The Current Output Module (COM) converts the data from the Washdown Wall Plate into a linear 4-20 mA signal for the DDC controller. Includes the "Current Output" terminal block connector.

Ordering Information		Current Output Module	
BA/COM		Temperature or Humidity Range (Must Select One)	
	-C	50 to 90°F or 10 to 32°C Temp. Range	
	-D	55 to 85°F or 13 to 30°C Temp. Range	
	-E	60 to 80°F or 15 to 27°C Temp. Range	
	-F	65 to 80°F or 18 to 27°C Temp. Range	
	-G	45 to 96°F or 7 to 35°C Temp. Range	
	-H	-20 to 120°F or -29 to 49°C Temp. Range	
	-KK	32 to 185°F or 0 to 85°C Temp. Range	
	-MM	-40 to 140°F or -40 to 60°C Temp. Range	
	-M	0 to 100% RH	
	-N	35 to 70% RH	
		°F or °C (°F is Standard)	
	-C	°C Temperature Range	
		Mounting	
	-EZ	EZ Mount	
<b>EXAMPLE</b>			
BA/COM	-C		-EZ
Part Number: BA/COM-C-EZ			
<b>Your Part Number:</b>			

Call BAPI if you have questions about the above ordering grid.  
Custom ranges are available. Call BAPI for more information.



**Current Output Module (COM)**  
(Includes the Current Output terminal block connector only)



**Washdown Power Supply with two Output Modules**

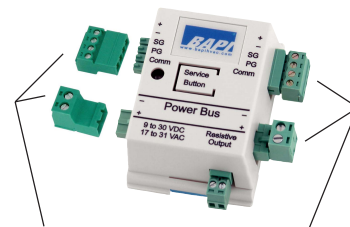
## Analog Output Module (AOM) Accessories

Analog Output Modules (AOMs), such as the Resistance Output Module, are connected to a Washdown Wall Plate Power Supply (shown on page B18) and receive the temperature or humidity data through a four-wire bus. Up to 30 different AOMs can be connected to a single Power Supply; therefore one Power Supply can power up to 15 different Wall Plates. Each AOM is easily trained to a specific Wall Plate signal with a pushbutton and LED. The modules are surface, 2.75" snaptrack or 35mm din rail mountable.

AOMs plug into each other or a Washdown Wall Plate Power Supply as shown in the top picture at right. However, the AOMs may also be mounted remotely using the optional Pluggable Terminal Block Connectors which are available as a 4-connector kit.

**PART NUMBER:**

**BA/AOM-CONN** - Pluggable Terminal Block Kit for AOMs (includes 4 terminal block connectors)



**Optional Pluggable Terminal Block Kit for AOMs (4 Connectors)**

## Specifications for Current Output Module

**Supply Power:** 9 to 36 VDC, Loop Powered, 20 mA max

**Power Consumption:** Loop Powered, 20 mA max

**Bus Cable Distance:**

4,000 ft with shielded, twisted pair cable (Belden 9841, Belden 8132 or equivalent)

**Output Resolution:** 10 bit

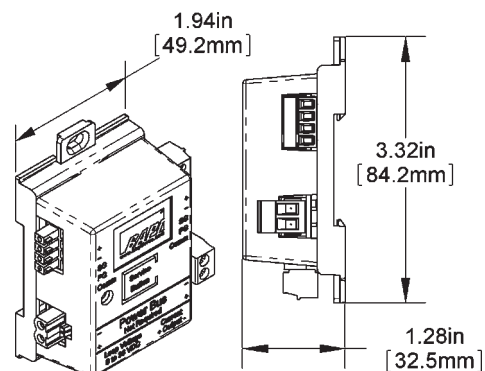
**Environmental Operation Range:**

Temp: 0° to 60°C  
Humidity: 5% to 95% RH non-condensing

**Material:** ABS Plastic

**Material Rating:** UL94, V-0

**Output Range:** 4-20 mA (factory set)



**Current Output Module**