

## Temperature Sensors

Rev. 01/17/11

### Features & Options

- Stainless Steel Wall Plate
- Rotary Setpoint Adjustment
- Occupant Override Pushbutton (optional)
- 3.5 mm Communication Jack (optional)
- Pressure Pickup Port (optional)
- Wide Selection of Temperature Sensing Elements
- Limited Lifetime Warranty



### Rotary Setpoint & Legend

The Rotary Setpoint is a linear adjustment that comes in various ranges, and is available as reverse or direct acting. A Setpoint Legend can be imprinted on the face of the Wall Plate. Standard Legends are "50 to 90 °F" or "- to +". Custom legends are also available, please call BAPI for details.

### Override Pushbutton

The optional Override is a discreet momentary signal that can be configured to be compatible with any controller. It is available in three styles — Standard, Durable or Low Profile (with or without an LED override indicator). All Low Profile pushbuttons are water resistant for washdown/wipedown cleaning.

### Communication Jack

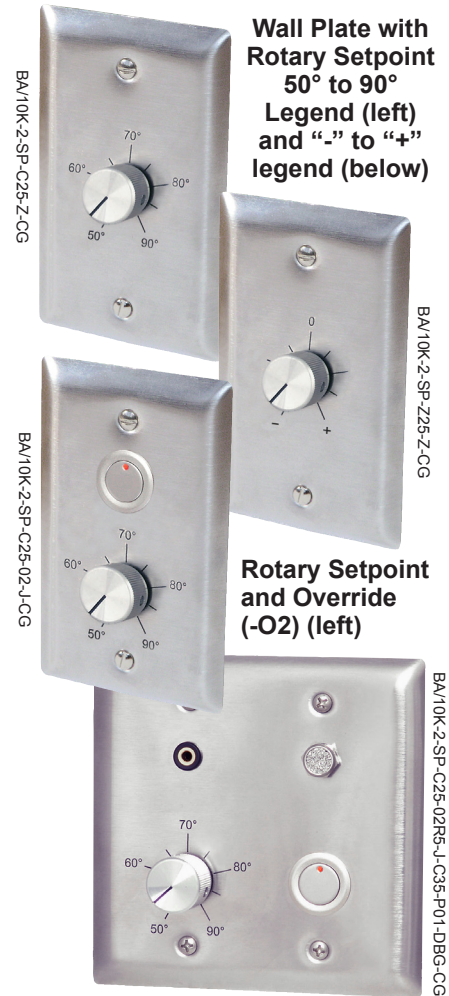
An optional 3.5 mm phono plug style comm. jack is also available.

### Pressure Pickup Port

An optional Pressure Pickup Port is also available. The brass fitting on the back accommodates 1/8" to 5/32" tubing.

**Note:** Choosing two or more options in addition to the Rotary Setpoint requires a doublegang enclosure.

\* All Passive Thermistors 10K Ω and smaller are CE compliant.



Wall Plate with Rotary Setpoint 50° to 90° Legend (left) and "−" to "+ " legend (below)

Rotary Setpoint and Override (-02) (left)

Doublegang Unit with Rotary Setpoint, Override with LED, Comm. Jack and Pressure Pickup Port

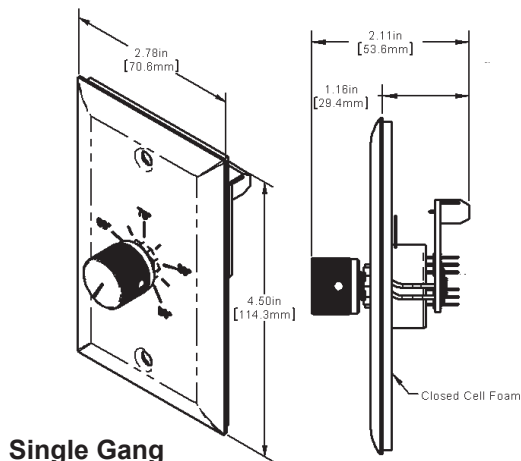
### Specifications

#### Environmental Operation Range:

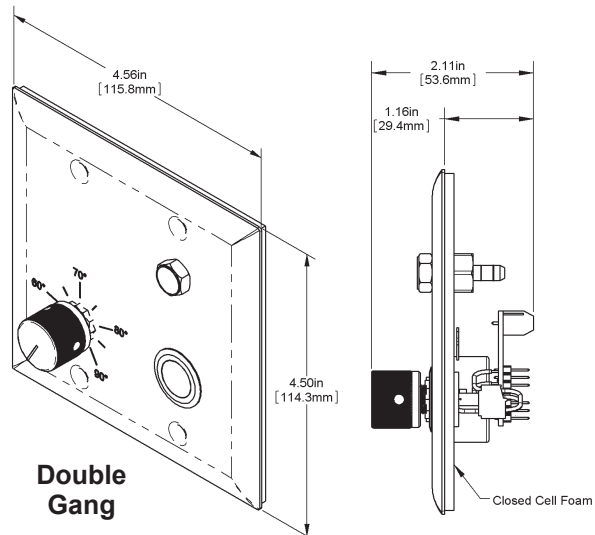
Temperature: -20 °C to 60 °C

Humidity: 0 to 95%, non-condensing

#### Material: Stainless Steel



Single Gang



Double Gang



# Wall Plate with Rotary Setpoint A45

**Temperature Sensors**

Rev. 01/17/11

Ordering Grids without List Prices are available on our website at [www.bapihvac.com](http://www.bapihvac.com)

Ordering Information		Wall Plate with Rotary Setpoint		List Price	Your Order					
BA/		<b>Sensor Type Required selection Use the designator number (shown to the left in bold) to indicate the sensor</b>								
#	<b>THERMISTORS</b>		<b>RTDs</b>	<b>Thermistors</b>						
	<b>1.8K</b>	1.8K Ω @ 25 °C	<b>100</b>	100 Ω Platinum @ 0 °C, .385 Ω/°C temp. coeff.	<b>\$18 Each</b>	\$ _____				
	<b>3K</b>	3K Ω @ 25 °C	<b>100[3W]</b>	3 Wire 100 Ω Platinum @ 0 °C, .385 Ω/°C temp. coeff.						
	<b>3.25K</b>	3.25K Ω @ 25 °C (T30 type)	<b>1K[375]</b>	1K Ω Platinum @ 0 °C, 3.75 Ω/°C temp. coeff.	<b>RTD's</b>					
	<b>3.3K</b>	3.3K Ω @ 25 °C	<b>1K[Ni]</b>	1K Ω Nickel @ 21°C, 5 Ω/°C temp. coeff.	<b>\$25 Each</b>	\$ _____				
	<b>10K-2</b>	10K Ω @ 25 °C	<b>1K</b>	1K Ω Platinum @ 0 °C, 3.85 Ω/°C temp. coeff.	<b>or</b>					
	<b>10K-3</b>	10K Ω @ 25 °C	<b>2K</b>	2K Ω Silicon @ 20 °C, 8 Ω/°C temp. coeff.	<b>\$35 for 1K[Ni]</b>	\$ _____				
	<b>10K-3[11K]</b>	5,238 Ω @ 25 °C	<b>SEMICONDUCTORS</b>		<b>Semi-</b>					
	<b>20K</b>	20K Ω @ 25 °C	<b>592</b>	AD592 Semiconductor, 273 μA @ 0 °C	<b>conductors</b>	\$ _____				
	<b>50K</b>	50K Ω @ 25 °C			<b>\$25 Each</b>	\$ _____				
<b>100K</b>	100K Ω @ 25 °C									
<b>Enclosure Configuration Required selection</b>										
<b>-SP</b>	Stainless Steel Wall Plate									
	<b>Setpoint Required selection Must select Legend and Range</b>									
	<b>SETPOINT LEGEND (insert Designator #)</b>			<b>\$50</b>	\$ _____					
	<b>Legend Range Designator</b>									
	<b>## +/-</b>									
	50 to 90 °F									
	C									
	Other Setpoint Legends are Available, call BAPI for details.									
	<b>SETPOINT OUTPUT VALUE RANGE (insert Designator #)</b>									
	<b>Desired Range Designator</b>	<b>Desired Range Designator</b>								
	0 to 5 Volts* <b>00</b>	2 to 3 kΩ <b>42</b>								
	1 to 5 Volts* <b>01</b>	10 to 11 kΩ <b>44</b>								
	3.7 to .85 Volts* <b>02</b>	12.5k to 11.5 kΩ <b>45</b>								
	5 to 0 Volts* <b>03</b>	1k to 0 Ω <b>46</b>								
	4.2 to 1.2 Volts* <b>04</b>	0 to 10 kΩ <b>60</b>								
	2.75 to 3.34 V* <b>05</b>	15 to 5 kΩ <b>61</b>								
	0 to 10 Volts* <b>10</b>	1 to 11 kΩ <b>63</b>								
	674 to 274 Ω <b>23</b>	0 to 20 kΩ <b>80</b>								
	800 to 1200 Ω <b>25</b>	4.75 to 24.75 kΩ <b>81</b>								
	909 to 1309 Ω <b>26</b>	6.19 to 26.19 kΩ <b>82</b>								
	1800 to 2200 Ω <b>27</b>	7.87 to 27.87 kΩ <b>83</b>								
	0 to 1 kΩ <b>40</b>	10 to 30 kΩ <b>84</b>								
	<b>Optional Override Pushbutton Style Skip if not required</b>									
	<b>-O</b>	Standard Pushbutton Override Switch		<b>\$10</b>	\$ _____					
	<b>-O1</b>	Durable Style Pushbutton Override		<b>\$24</b>	\$ _____					
	<b>-O2</b>	Low Profile Style Pushbutton Override		<b>\$57</b>	\$ _____					
	<b>-O2G5</b>	Low Profile Pushbutton Override, Green LED, 5 VDC**		<b>\$100</b>	\$ _____					
	<b>-O2G24</b>	Low Profile Pushbutton Override, Green LED, 24 VDC or VAC**		<b>\$100</b>	\$ _____					
	<b>-O2R5</b>	Low Profile Pushbutton Override, RED LED, 5 VDC**		<b>\$100</b>	\$ _____					
	<b>-O2R24</b>	Low Profile Pushbutton Override, RED LED, 24 VDC or VAC**		<b>\$100</b>	\$ _____					
	<b>-OWD</b>	Washdown Keypad, NO & NC		<b>\$230</b>	\$ _____					
	<b>Override Configuration Must Select One</b>									
	<b>-J</b>	Override as a Separate Input								
	<b>-N</b>	Override in Parallel (//) with Sensor								
	<b>-P</b>	Override in Parallel (//) with Setpoint								
	<b>-Z</b>	No Override								
	<b>Optional Communication Jack Skip if not required</b>									
	<b>-C35</b>	3.5 mm Phono Style Jack		<b>\$10</b>	\$ _____					
	<b>Optional Pressure Pickup Skip if not required</b>									
	<b>-P01</b>	Pressure Pickup Port		<b>\$5</b>	\$ _____					
	<b>Doublegang Enclosure (Required if two or more options are selected in addition to the rotary setpoint)</b>									
	<b>-DBG</b>	Doublegang Enclosure		<b>\$15</b>	\$ _____					
	<b>Connection Configuration (Must select one)</b>									
	<b>-CG</b>	Common Ground								
	<b>-DF</b>	Differential Inputs								
<b>EXAMPLE</b>										
BA/	10K-2	-SP	C25	-O2	-J	-C35		-CG		
Example Part Number: BA/10K-2-SPC25-O2-J-C35-CG										
<b>Your Part Number:</b>										
				<b>Total =</b>	<b>\$ _____</b>					

Call BAPI if you have questions about the above ordering/pricing grid or the configuration of the product you are ordering.

\*For voltage output options: 5 VDC must be supplied from the controller for outputs of 5 VDC and below and 10 VDC must be supplied for the 0 to 10 VDC output.

\*\*Voltage to power LED indicator (5 VDC or 24 VDC or VAC) must come from the controller or other external source.