

Temperature Sensors

Rev. 11/30/10

Features & Options

- Excellent Air-Flow Properties
- Drywall Mounting
- Analog Display Option
- Limited Lifetime Warranty
- Wide Selection of Temperature Sensing Elements

**Powers Style Enclosure****Bi-Metal Indicator**

An optional Bi-Metal Indicator can display room temperature; accurate to ± 1 °F. The display is protected by a view plate and comes standard with a 50 to 80 °F Legend. This legend is printed in dark brown on a tan background.

For detailed specifications on the individual Sensors & Transmitters, turn to the Sensors section.

* All Passive Thermistors 10K Ω and smaller are CE compliant.

Rectangular Adaptor Plate

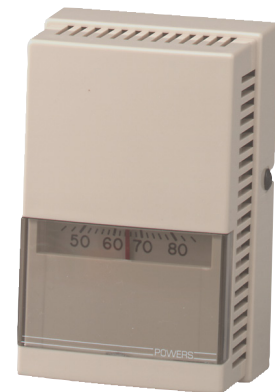
The BAPI Adaptor Plate allows the Powers Style Room units to be mounted on a standard 2"x4" junction box. The Adaptor Plate is also designed for locations where a larger Room Unit (or sensor) has been previously mounted. It is made of flame retardant ABS plastic, and is available in four colors to match any BAPI Room Unit. The Adaptor Plate can be mounted vertically or horizontally. For more info, see "Accessories".



Plate & Room Unit



Adaptor Plate

**Powers Style Enclosure with Bi-metal Indicator****Specifications**

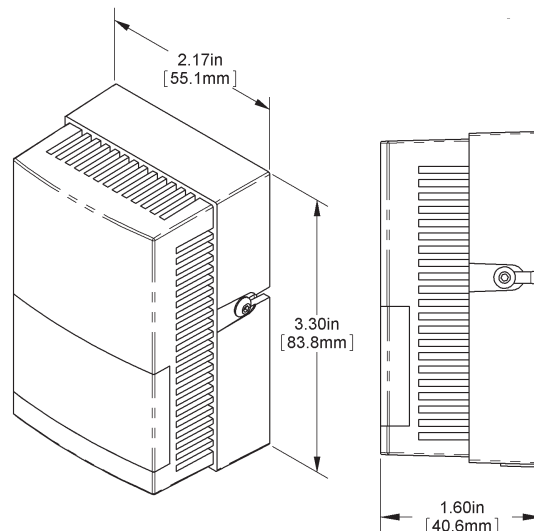
Material: ABS Plastic

Material Rating: UL 94, HB

Environmental Operation Range:

Temperature: 32 to 122 °F (0 to 50 °C)

Humidity: 0 to 95%, non-condensing





Powers Style Room Units **A35**

Temperature Sensors

Rev. 11/30/10

Ordering Grids without List Prices are available on our website at www.bapihvac.com

Ordering Information				Powers Style Room Unit - Temperature	List Price	Your Order
BA/	Sensor Type (Required selection) Use the designator number (shown to the left in bold) to indicate the sensor					
##	THERMISTORS	RTDs		Thermistors		
1.8K	1.8K Ω @ 25 °C	100	100 Ω Platinum @ 0 °C, .385 Ω/°C temp. coeff.	\$18 Each	\$ _____	
2.2K	2.2K Ω @ 25 °C	100[3W]	3 Wire 100 Ω Plat. @ 0 °C, .385 Ω/°C temp. coeff.	RTD's		
3K	3K Ω @ 25 °C	1K[375]	1K Ω Platinum @ 0 °C, 3.75 Ω/°C temp. coeff.	\$25 Each	\$ _____	
3.25K	3.25K Ω @ 25 °C (T30 type)	1K[Ni]	1K Ω Nickel @ 21°C, 5 Ω/°C temp. coeff.	or		
3.3K	3.3K Ω @ 25 °C	1K	1K Ω Platinum @ 0 °C, 3.85 Ω/°C temp. coeff.	\$35 for 1K[Ni]	\$ _____	
10K-2	10K Ω @ 25 °C	2K	2K Ω Silicon @ 20 °C, 8 Ω/°C temp. coeff.	Semi-conductors		
10K-3	10K Ω @ 25 °C			\$25 Each	\$ _____	
10K-3[11K]	5,238 Ω @ 25 °C	SEMICONDUCTORS				
20K	20K Ω @ 25 °C	334	LM334 Semiconductor	Temperature Transmitters		
47K	47K Ω @ 25 °C	592	AD592 Semiconductor, 273 μA @ 0 °C	\$100 for	\$ _____	
50K	50K Ω @ 25 °C	592-10K	AD592 Semicond. w/ 10 kΩ shunt resistor, 2.73 V @ 0 °C	T100, T1K & T10K		
100K	100K Ω @ 25 °C			\$280 for	\$ _____	
	TEMPERATURE TRANSMITTERS			T100M & T1KM	\$ _____	
T100[range]	100 Platinum RTD, 100 Ω @ 0 °C with 4 to 20 mA Output					
T100M[range]	100 Platinum RTD, 100 Ω @ 0 °C with MATCHED* 4 to 20 mA Output					
T1K[range]	1K Platinum RTD, 1,000 Ω @ 0 °C with 4 to 20 mA Output					
T1KM[range]	1K Platinum RTD, 1,000 Ω @ 0 °C with MATCHED* 4 to 20 mA Output					
	TEMPERATURE TRANSMITTER RANGES					
	Custom temperature transmitter ranges are available. Common ranges are listed below					
	65 TO 80F 18 TO 27C 40 TO 90F 4 TO 32C					
	60 TO 80F 15 TO 27C 45 TO 96F 7 TO 35C					
	55 TO 85F 13 TO 30C 0 TO 100F -18 TO 38C					
	50 TO 90F 10 TO 32C					
	Enclosure Required selection					
-RSS	Powers Style Room Enclosure			\$30	\$ _____	
	Optional Indicator					
-BM775	Bi-Metal Indicator: Brown 50 to 80 °F legend on a tan background			\$18	\$ _____	
EXAMPLE						
BA/	10K-2	-RSS	-BM775			
Example Part Number: BA/10K-2-RSS-BM775						
Your Part Number:						
				Total =	\$ _____	

Call BAPI if you have questions about the above ordering grid or the configuration of the product you are ordering.