



Features & Options

- Quick-Response Sensor
- Well-Vented, Light-Colored Sensor Guard
- Four Watertight Enclosure Styles
- Wide Selection of Temperature Sensing Elements

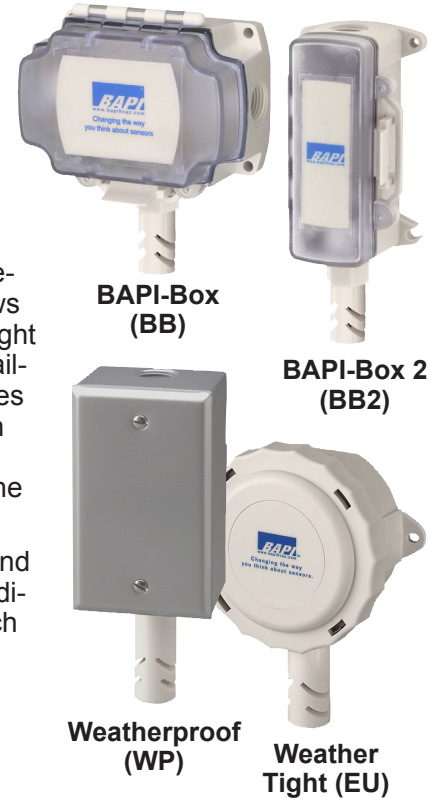


Outside Air Units are designed to be mounted outdoors. The UV-resistant plastic shield keeps the sensor out of the sunlight and allows for excellent air circulation. The units are available in a Weather Tight (EU) UV-resistant enclosure with an IP66 rating. They are also available in a cast aluminum Weatherproof (WP) enclosure which carries a NEMA 3R rating or a BAPI-Box (BB) or BAPI-Box 2 (BB2) which are made of UV-resistant polycarbonate and carry an IP66 rating. BAPI also offers optional liquid-tight fittings. For a comparison of the enclosure styles, please see the App. Notes section.

All Outside Air Units have etched Teflon leadwires and can withstand high humidity and condensation and perform under real world conditions. This is especially important in an outside air application which can be exposed to rain, snow and large temperature swings.

* All Passive Thermistors 10K Ω and smaller are CE compliant.

For detailed specs on the individual Sensors & Transmitters, turn to the "Sensors" Section.



Specifications

Enclosure Material:

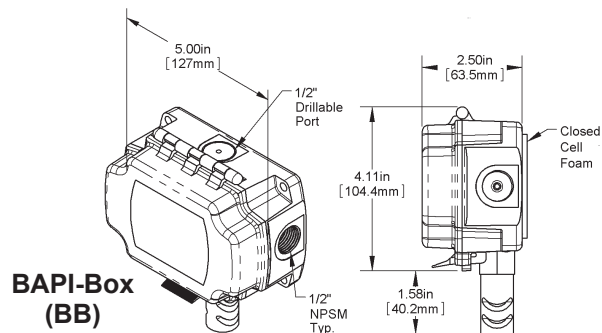
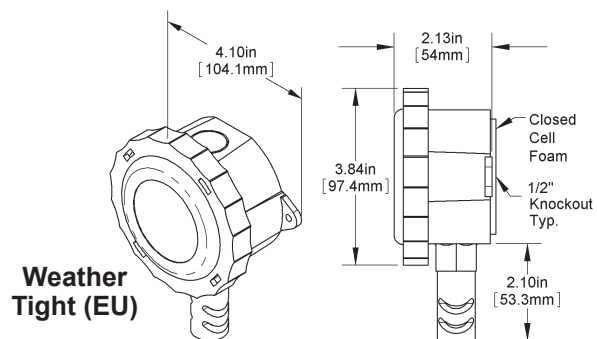
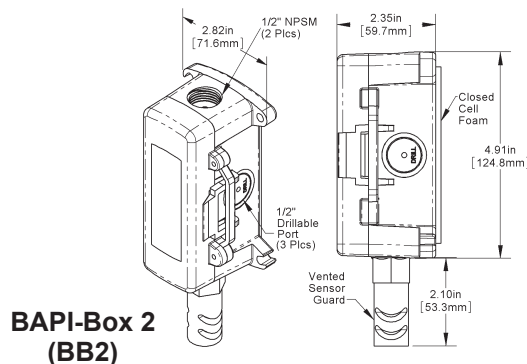
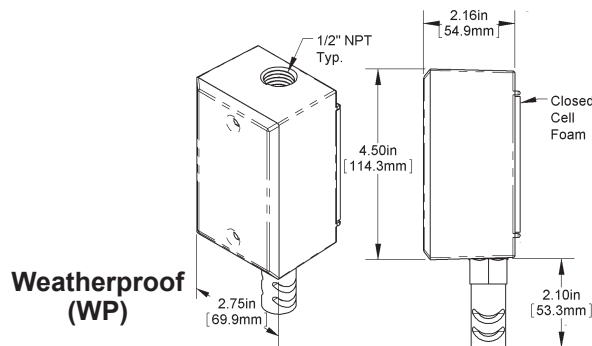
- EU Model: ABS Plastic, UL94, V-0
- BB & BB2 Models: UV-resistant polycarbonate, UL94, V-0
- WP Model: Cast Aluminum

Enclosure Rating:

- WP Model: NEMA 3R
- EU, BB & BB2 Models: IP66, NEMA 4

Environmental Operation Range:

- Temperature Sensor: -40 °C to 85 °C
- Temperature Transmitter: -20 °C to 70 °C
- Humidity: 0 to 100%, non-condensing





Rev. 06/09/11

Ordering Grids without List Prices are available on our website at www.bapihvac.com

Ordering Information			Outside Air Units - Temperature	List Price	Your Order
BA/					
Sensor Type			Required selection	Use the designator number (shown to the left in bold) to indicate the sensor	
#					
		THERMISTORS		RTDs	
	1.8K	1.8K Ω @ 25 °C		100	100 Ω Platinum @ 0 °C, .385 Ω/°C temp. coeff.
	2.2K	2.2K Ω @ 25 °C		100[3W]	3 Wire 100 Ω Plat. @ 0 °C, .385 Ω/°C temp. coeff.
	3K	3K Ω @ 25 °C		1K[375]	1K Ω Platinum @ 0 °C, 3.75 Ω/°C temp. coeff.
	3.25K	3.25K Ω @ 25 °C (T30 type)		1K[Ni]	1K Ω Nickel @ 21°C, 5 Ω/°C temp. coeff.
	3.3K	3.3K Ω @ 25 °C		1K	1K Ω Platinum @ 0 °C, 3.85 Ω/°C temp. coeff.
	10K-2	10K Ω @ 25 °C		2K	2K Ω Silicon @ 20 °C, 8 Ω/°C temp. coeff.
	10K-3	10K Ω @ 25 °C			
	10K-3[11K]	5,238 Ω @ 25 °C		SEMICONDUCTORS	
	20K	20K Ω @ 25 °C		334	LM334 Semiconductor
	47K	47K Ω @ 25 °C		592	AD592 Semiconductor, 273 μA @ 0 °C
	50K	50K Ω @ 25 °C		592-10K	AD592 Semicond. w/ 10 kΩ shunt resistor, 2.73 V @ 0 °C
	100K	100K Ω @ 25 °C			
		TEMPERATURE TRANSMITTERS	Must include a "range" figure. Requires an enclosure.		
	T100[range]	100 Platinum RTD, 100 Ω @ 0 °C with 4 to 20 mA Output			
	T100M[range]	100 Platinum RTD, 100 Ω @ 0 °C with MATCHED 4 to 20 mA Output*			
	T1K[range]	1K Platinum RTD, 1,000 Ω @ 0 °C with 4 to 20 mA Output			
	T1KM[range]	1K Platinum RTD, 1,000 Ω @ 0 °C with MATCHED 4 to 20 mA Output*			
	T10K[range]	10K Thermistor, 10,000 Ω @ 25 °C with 4 to 20 mA Output**			
	T10K5[range]	10K Thermistor, 10,000 Ω @ 25 °C with 0-5 VDC Output**			
	T10K10[range]	10K Thermistor, 10,000 Ω @ 25 °C with 0-10 VDC Output**			
		TEMPERATURE TRANSMITTER RANGES	Custom temperature transmitter ranges are available. Common ranges are listed below		
		32 TO 122F	0 TO 50C	-30 TO 140F	-34 TO 60C
		20 TO 120F	-7 TO 49C	-22 TO 158F	-30 TO 70C
		-20 TO 120F	-29 TO 49C	-52 TO 152F	-47 TO 67C
		0 TO 150F	-18 TO 66C		
	Configuration	Required selection			
	-O-BB	BAPI-Box Enclosure - IP66 rated, UV-resistant polycarbonate			
	-O-BB2	BAPI-Box 2 Enclosure - IP66 rated, UV-resistant polycarbonate			
	-O-EU	Weather Tight Enclosure - IP 66 UV-resistant enclosure			
	-O-EUD	Weather Tight Enclosure - IP66 rated UV-resistant enclosure (Probe is attached to the base of the enclosure, similar to a duct sensor)			
	-O-WP	Weather Proof Enclosure - NEMA 3R rated cast aluminum enclosure			
		Options	An enclosure is required		
		-TB	Test & Balance Switch (BB or BB2 required, includes a Terminal Strip Connection, not available with Temp. Transmitter)		
		-TS	Terminal Strip Connection (BB or BB2 required for units with a Thermistor, RTD or Semiconductor)***		
EXAMPLE					
BA/	10K-2	-O-EU			
Example Part Number: BA/10K-2-O-EU				Outside Air Unit with Weathertight Enclosure and 10K-2 Thermistor	
Your Part Number					
				Total =	\$ _____

Call BAPI if you have questions about the above ordering grid or the configuration of the product you are ordering.

*MATCHED Transmitter use Class A RTD's & are matched at 25%, 50% & 75% of calibrated scale limited to within -25°C to 150°C.

**Range is limited to -40 to 185°F (-40 to 85°C)

***TS option is not available with the 100[3W] RTD sensor, the 592-10K Semiconductor sensor or the T10K transmitters.