



Features & Options

- Optional Setpoint, Display, Override and Fanspeed
- °C or °F Operation (user selectable)
- Onboard Neuron® 3120® Chip
- Standard 4-Wire Termination
- Two Year Warranty



L-Temp Unit with Setpoint & Override

BAPI's Echelon® compatible “L-Temp” Room Unit features measurement and display of local temperature (°C or °F), as well as display of outdoor temperature and outdoor humidity – all in one aesthetically-pleasing package. An onboard Neuron® chip allows connection directly to a LonWORKS® network using star, bus, or loop topology. Additional options include Temperature Setpoint and Local Override as well as Fan Speed Control for Fan Coils, Heat Pumps, Unit Ventilators or other Terminal Units. The Fan Speed is provided as a Network Variable and includes appropriate LCD Indicators.

Combination Temp./Humidity Unit

BAPI also offers an Echelon® compatible Temperature/Humidity Combination Room Unit called an “L-Combo”. The combo unit includes all the features of the “L-Temp” except the Fanspeed adjustment and has a user adjustable toggle rate between temperature and humidity,.

For more info on the “L-Combo”, see pages B18-19.

The “L-Temp” and “L-Combo” were designed following the LonMark® Interoperability Guidelines, and incorporates standard configuration property types (SCPT). A complete SNVT/SCPT list with definitions is available upon request. Echelon®, LonWORKS®, Neuron®, and 3120® are trademarks of Echelon Corporation registered in the United States and other countries. LonMark® is a trademark of the LonMark Interoperability Association registered in the United States and other countries.

Specifications

Power: 8 to 24VDC (recommended) or 12 to 28VAC

Power Consumption: 35 mA maximum DC

Sensing Elements:

Temp. - Semiconductor Band Gap, Proportional to Absolute Temperature, ±0.3°C

Optional Humidity -

Capacitive Polymer, ±1.8% RH Accuracy

Wiring: 4 wire, twisted pair 22 AWG minimum*

For additional wiring information and requirements, please refer to Echelon® Corporation's Bulletin titled “Junction Box and Wiring Guidelines for Twisted Pair LonWORKS® Networks” which can be found online at the following URL.

<http://www.echelon.com/support/documentation/Bulletin/005-0023-01K.pdf>

Communication:

Neuron® 3120®, 78 kbps using FTT-10A transceiver

Mounting:

Standard 2” by 4” J-box or drywall mount - mounting screws provided

Environmental Specifications:

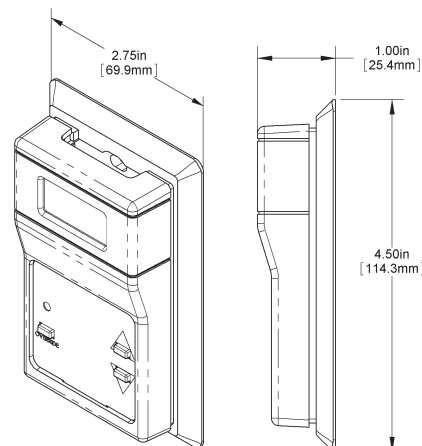
Temperature: 32 to 122 °F (0 to 50 °C)

Humidity: 0 to 95%, non-condensing

Material: ABS Plastic

Material Rating: UL 94, V-0

Range: -40°C to 85°C



* BAPI recommends that you do not run wiring for the Room Units in the same conduit as line voltage wiring or with wiring used to supply highly inductive loads such as motors, generators, and coils.



Rev. 09/05/11

Ordering Grids without List Prices are available on our website at www.bapihvac.com

Ordering Information "L-Temp" & "L-Combo" Room Units					List Price	Your Order		
BA/LC					\$240	\$ _____		
	Humidity Accuracy Skip this number if ordering a temperature only unit							
	H2	±2% RH Accuracy			\$80	\$ _____		
		Enclosure Required selection						
		-R	Delta Style Room Enclosure					
			Options Select in order as required					
		S	Temperature Setpoint (Display is required if Setpoint is selected)			\$6	\$ _____	
		O	Override			\$5	\$ _____	
		D	Display			\$35	\$ _____	
		XLD*	Fan Speed Adjustment and Temperature Setpoint Adjustment. Note: SOD options are not needed if XLD is selected.			\$46	\$ _____	
			Optional Copla White Enclosure (Warm White is Standard)					
		-CPW	Copla White Enclosure Color					
EXAMPLE								
BA/LC		-R	SOD					
Example Part Number: BA/LC-RSOD - "L-Temp" Unit with setpoint, override and display								
BA/LC	H2	-R	SOD					
Example Part Number: BA/LCH2-RSOD - "L-Combo" Unit with ±2% RH, setpoint, override & display								
Your Part Number:								
					Total =	\$ _____		

Call BAPI if you have questions about the above ordering/pricing grid.

*XLD option is not available with Humidity

*XLD option includes Setpoint, Override & Display

VC100 - AC to DC Voltage Converter

BAPI recommends using 10-15 VDC to power the “L-Temp” room sensors. With its compact size and rugged design, BAPI’s VC100 is the perfect AC to DC converter. Besides the 100 mA model, BAPI also offers a 350 mA model (VC350). For more info, see the Accessories section.



VC100 mounted in optional snaptrack

The BAPI-Guard

- Prevents Tampering, Physical Damage and Unauthorized Adjustment
- Exceptional Airflow for Proper Thermostat Operation
- Two Sizes to Fit Most Thermostats



BAPI-Guard Mounted Over a Thermostat

(See Accessories for more info.)