

Rev. 02/12/07

Temp./Humidity Combo Unit

Features & Options

- Stainless Steel Plate for Washdown/Wipedown Applications
- Keyswitch & Light Sensor
- Temperature & Humidity Combination Sensor
- Factory Selectable Output of 0 to 5 VDC or 4 to 20 mA

This Combination Temp./Humidity Wall Plate Unit includes a keyswitch and separate light sensor. The unit is perfect for washdown/wipedown applications. The SPST keyswitch is rated at 500,000 operations minimum and has two sets of contacts, one normally open and one normally closed. The key is only removable in the "off" position. Humidity Transmitter and Temp. Transmitter outputs are factory selectable (0-5 VDC or 4-20 mA).



Doublegang Temp./Humidity Wall Plate with Keyswitch & Light Sensor

ORDERING INFORMATION

Part #: BA/10K-2-H300-SP-OWD-L1

Combo Wall Plate Unit, 10K-2 Thermistor, 3% RH.

Part #: BA/10K-2-H200-SP-OWD-L1

Combo Wall Plate Unit, 10K-2 Thermistor, 2% RH.

Part #: BA/T10K[range]-H305-SP-OWD-L1

Temp Transmitter, 3% RH with 0-5 V humidity output.

Part #: BA/T10K[range]-H320-SP-OWD-L1

Temp Transmitter, 3% RH with 4-20 mA humidity output.

Part #: BA/T10K[range]-H205-SP-OWD-L1

Temp Transmitter, 3% RH with 0-5 V humidity output.

Part #: BA/T10K[range]-H220-SP-OWD-L1

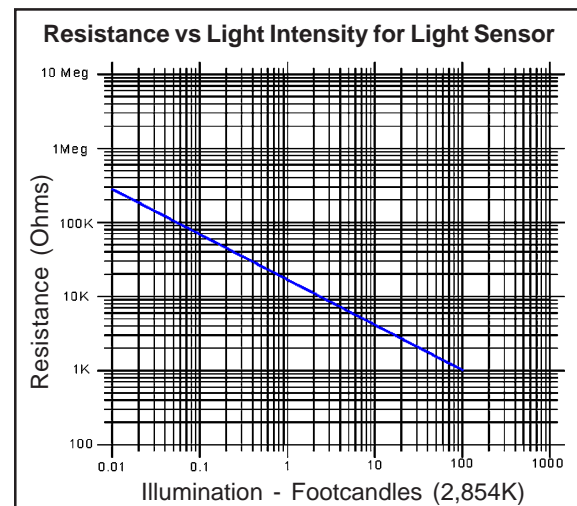
Temp Transmitter, 2% RH with 4-20 mA humidity output.

Part #: BA/T1K[range]-H300-SP-OWD-L1

Combo Wall Plate Unit, Temp Transmitter, 3% RH.

Part #: BA/T1K[range]-H200-SP-OWD-L1

Combo Wall Plate Unit, Temp Transmitter, 2% RH.

Part #: BA/KEY16185 - Replacement Key

Note: The T10K unit has ONE circuit board for both transmitter outputs. The T1K unit has two circuit boards.

Specifications

WALL PLATE

Material: Stainless Steel

KEYSWITCH

Rating: IP65

Contact Ratings:

GP Load: 10 Amps, resistive at 24 VAC/VDC

Microload: 1mA at 5 VDC minimum

LIGHT SENSOR

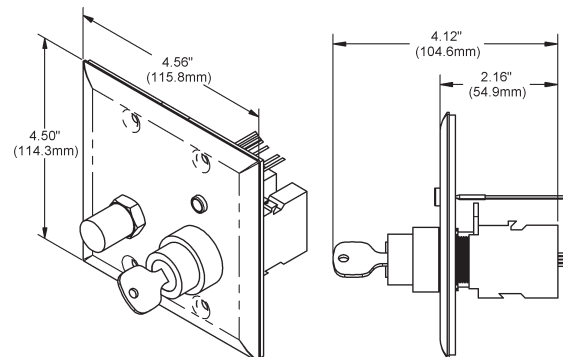
Spectral Peak: 515nm

Resistance: 43KΩ at 1ftc

Min. Dark Resistance: 2.5 MEG ohms

Max Voltage: 120 V (AC or DC)

Power Dissipation: 200mW at 25°C



Environmental Oper. Range: Temperature: -20°C to 70°C
Humidity: 0% to 100%